

Instruction manual
Návod na obsluhu

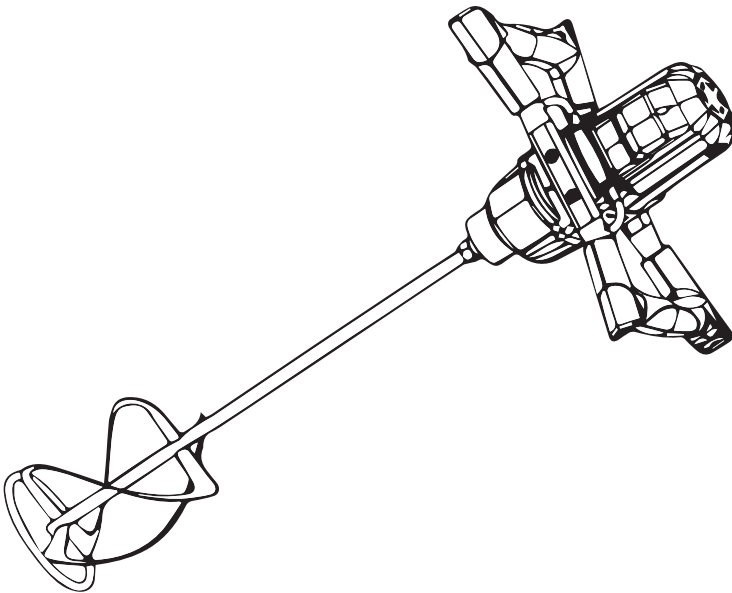
EN Stirring Mechanism

SK Elektrické miešadlo

HU Elektromos keverőgép

DE Elektrischer Rührwerk

BXR-11



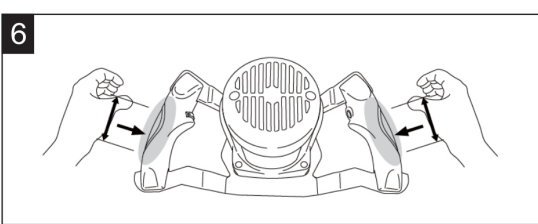
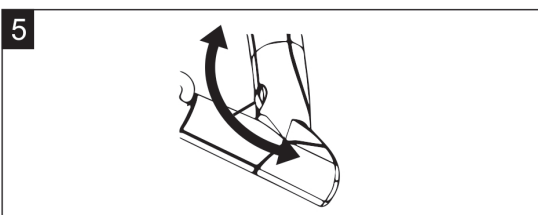
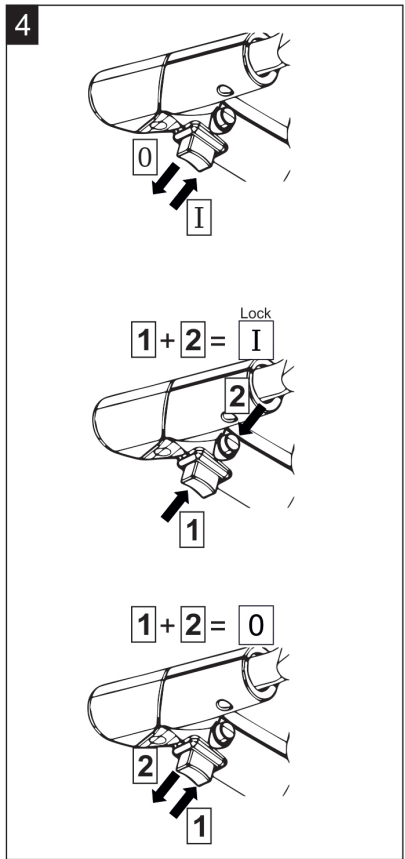
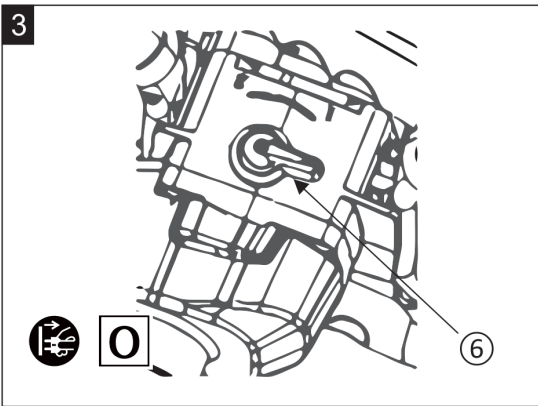
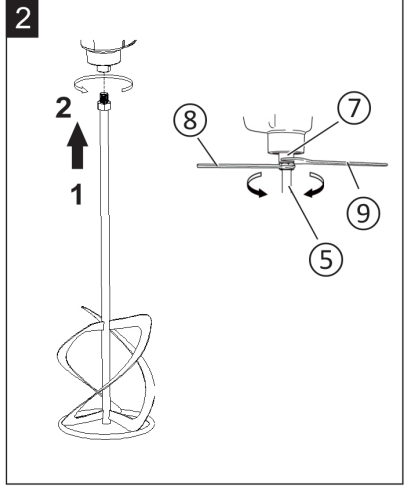
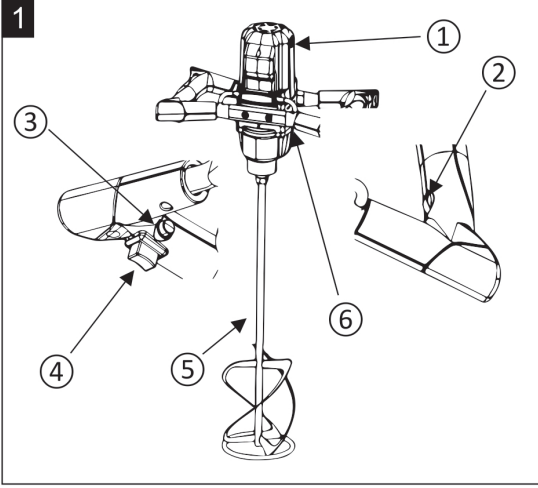
CE

EN ENGLISH.....4

SK SLOVENSKY.....12

HU MAGYAR.....20

DE DEUTSCH.....30



STIRRING MECHANISM

Translation of the original user's manual

It is essential that instruction manual is read before the power tool is operated for the first time.

Always keeps this instruction manual together with the power tool. Ensure that the instruction manual is with the power tool when it is given to other persons.

Table of Contents

1. General Power Tool Safety Warnings	4
2. Mixer safety instructions	5
3. Check before Use	6
4. Noise and Vibration Emissions	7
5. Specifications and List of Contents	8
6. Description of Functions and Applications	8
7. Operating Instructions	9
8. Maintenance and Servicing	10

Note

As our engineers are striving for the constant research and development to develop the quality of products, shape or structure of our model can be changed without previous notice.

1. General Power Tool Safety Warnings

WARNING! Read all safety warnings and all instructions.


Failure to follow the warnings and instructions may result in electric shock, fire and/or serious injury.

Failure to follow all instructions listed below may result in electric shock, fire and/or serious injury. Save all warnings and instructions for future reference. The term "power tool" in the warnings refers to your mains-operated (corded) power tool or Battery-operated (cordless) power tool.


1) Work area safety

- a) **Keep work area clean and well lit.** Cluttered or dark areas invite accidents.
- b) **Do not operate power tools in explosive**


atmospheres, such as in the presence of flammable liquids, gases or dust. Power tools create sparks which may ignite the dust or fumes.

- c)  **Keep children and bystanders away while operating a power tool.** Distractions can cause you to lose control.

2) Electrical safety

- a) **Power tool plugs must match the outlet. Never modify the plug in any way. Do not use any adapter plugs with earthed (grounded) power tools.** Unmodified plugs and matching outlets will reduce risk of electric shock.
- b) **Avoid body contact with earthed or grounded surfaces, such as pipes, radiators, ranges and refrigerators.** There is an increased risk of electric shock if your body is earthed or grounded.
- c)  **Do not expose power tools to rain or wet conditions.** Water entering a power tool will increase the risk of electric shock.
- d) **Do not abuse the cord. Never use the cord for carrying, pulling or unplugging the power tool. Keep cord away from heat, oil, sharp edges or moving parts.** Damaged or entangled cords increase the risk of electric shock.
- e) **When operating a power tool outdoors, use an extension cord suitable for outdoor use.** Use of a cord suitable for outdoor use reduces the risk of electric shock.
- f) **If operating a power tool in a damp location is unavoidable, use a residual current device (RCD) protected supply.** Use of an RCD reduces the risk of electric shock.


3) Personal safety

- a) **Stay alert, watch what you are doing and use common sense when operating a power tool. Do not use a power tool while you are tired or under the influence of drugs, alcohol or medication.** A moment of inattention while operating power tools may result in serious personal injury.
- b)  **Use personal protective equipment. Always wear eye protection.** Protective equipment such as dust mask,

non-skid safety shoes, hard hat, or hearing protection used for appropriate conditions will reduce personal injuries.

- c) **Prevent unintentional starting. Ensure the switch is in the off-position before connecting to power source and/or battery pack, picking up or carrying the tool.** Carrying power tools with your finger on the switch or energising power tools that have the switch on invites accidents.
- d) **Remove any adjusting key or wrench before turning the power tool on.** A wrench or a key left attached to a rotating part of the power tool may result in personal injury.
- e) **Do not overreach. Keep proper footing and balance at all times.** This enables better control of the power tool in unexpected situations.
- f) **Dress properly. Do not wear loose clothing or jewellery. Keep your hair and clothing away from moving parts.** Loose clothes, jewellery or long hair can be caught in moving parts.
- g) **If devices are provided for the connection of dust extraction and collection facilities, ensure these are connected and properly used.** Use of dust collection can reduce dust-related hazards.
- h) **Do not let familiarity gained from frequent use of tools allow you to become complacent and ignore tool safety principles.** A careless action can cause severe injury within a fraction of a second.

4) Power tool use and care

- a) **Do not force the power tool. Use the correct power tool for your application.** The correct power tool will do the job better and safer at the rate for which it was designed.
- b) **Do not use the power tool if the switch does not turn it on and off.** Any power tool that cannot be controlled with the switch is dangerous and must be repaired.
- c)  **Disconnect the plug from the power source and/or remove the battery pack, if detachable, from the power tool before making any adjustments, changing accessories, or storing power tools.** Such preventive safety measures reduce the risk of starting the

power tool accidentally.

- d) **Store idle power tools out of the reach of children and do not allow persons unfamiliar with the power tool or these instructions to operate the power tool.** Power tools are dangerous in the hands of untrained users.
- e) **Maintain power tools and accessories. Check for misalignment or binding of moving parts, breakage of parts and any other condition that may affect the power tool's operation. If damaged, have the power tool repaired before use.** Many accidents are caused by poorly maintained power tools.
- f) **Keep cutting tools sharp and clean.** Properly maintained cutting tools with sharp cutting edges are less likely to bind and are easier to control.
- g) **Use the power tool, accessories and tool bits etc. in accordance with these instructions, taking into account the working conditions and the work to be performed.** Use of the power tool for operations different from those intended could result in a hazardous situation.
- h) **Keep handles and grasping surfaces dry, clean and free from oil and grease.** Slippery handles and grasping surfaces do not allow for safe handling and control of the tool in unexpected situations.

5) Service

- a) **Have your power tool serviced by a qualified repair person using only identical replacement parts.** This will ensure that the safety of the power tool is maintained.

2. Mixer safety instructions

- a) **Hold the tool with both hands at the intended handles.** Loss of control can cause personal injury.
- b) **Ensure sufficient ventilation when mixing flammable materials to avoid a hazardous atmosphere.** Developing vapour may be inhaled or be ignited by the sparks the power tool produces.
- c) **Do not mix food.** Power tools and their accessories are not designed for processing

food.

- d) Keep the cord away from the working area.** The cord may be entangled by the mixer basket.
- e) Ensure that the mixing container is placed in a firm and secure position.** A container that is not properly secured may move unexpectedly.
- f) Ensure that no liquid splashes against the housing of the power tool.** Liquid that has penetrated the power tool can cause damage and lead to electric shock.
- g) Follow the instructions and warnings for the material to be mixed.** Material to be mixed may be harmful.
- h) If the power tool falls into the material to be mixed, unplug the tool immediately and have the power tool checked by a qualified repair person.** Reaching into the bucket with the tool still plugged in can lead to electric shock.
- i) Do not reach into the mixing container with your hands or insert any other objects into it while mixing.** Contact with the mixer basket may lead to serious personal injury.
- j) Start up and run down the tool in the mixing container only.** The mixer basket may bend or spin in an uncontrolled manner.
- k) Do not use on explosive materials (e.g highly flammable solvents).** Power tools produce sparks which can ignite fumes.
- l) Follow the instructions and warnings in the safety data sheets (SDS) of the mixing material.** The mixing material may be harmful.
- m) Do not use the power tool when it is connected to a stand.** Bench-mounted operation of the power tool is not permitted.

3. Check before Use

1) Extension Cord

Use an extension cord if the distance to the power source requires its use. Extension cord must be of appropriate thickness and length for the supply of electric current. Too thin or too long cord will cause voltage to

drop reducing the motor power. Use it as short as possible.

2) The Power Source

Observe correct main voltage. The voltage of power source must agree with the voltage specified in the name plate.

3) Main Outlet

When inserting the plug, if a sound is heard or if it is taken out easily you must repair it. Please contact nearby electric shop.










When you use the mains outlet as it is, it causes the accident by overheating.


4) Trial run

Before starting the work, wear protection (goggles, safety helmet, ear plugs, protective gloves) and run the tool in the direction avoiding other persons to see if the tool is operated normally.

5) Work place

Check work place considering cautions. Prevent dust accumulation at the workplace. Dusts can easily ignite. Dusts from materials such lead-containing coatings, minerals and metal can be harmful to one's health. Contact with or inhaling the dusts can trigger allergic reactions to the operator or bystanders and/or lead to respiratory infections. Certain metal dusts are considered hazardous, especially in conjunction with alloys such as zinc, aluminium or chromium. Materials containing asbestos may only be worked by specialists. Provide for good ventilation of the working place. It is recommended to wear a P2 filter-class respirator. Observe the relevant regulations in your country for the materials to be worked.

	Please read the instruction manual before use
	Wear a Safety helmet
	Wear Safety goggles
	Wear ear plugs
	Wear a mask
	Wear protective gloves
	Do not dispose of batteries with general refuse
	Return waste material
	Class II appliance

V	Volts	n	Rated Speed
A	Amperes	Hz	Hertz
W	Watts	/min or min⁻¹	Revolutions or reciprocations per minute
	Alternating current	IP20	IP Code



ES Declaration of conformity

We declares that these products: Stirring Mechanism

Type: BXR-11

meet the standards

EN 62841-1:2015, EN 62841-2-10:2017

in compliance with the directives 2006/42/EC

HERMAN Slovakia Production s.r.o.,
Mokrá Lúka 226, 05001 Revúca, Slovensko.


Ing. Herman Nagypál MBA
CEO
Herman Group a.s.


Mgr Peter Halaj
Director of the technical
department of tools
Herman Slovakia Production s.r.o.

4. Noise and Vibration Emissions

1) Noise

Noise emission values determined according to EN 62841-2-10

A-weighted emission sound power level (L_{WA}) [dB(A)]	93,6
A-weighted emission sound pressure level (L_{pA}) [dB(A)]	85,6
Uncertainty (K) [dB(A)]	3



The operator to wear hearing protection

2) Vibration emission

Vibration total values(triaxial vector sum) determined according to EN 62841-2-10

Vibration emission value (a_n)	2,42 m/s ²
Uncertainty (K)	1,5 m/s ²

3) The following information

- a) The declared vibration total value has been measured in accordance with a standard test method given in EN 62841-2-10 and may be

EN

- used for comparing one tool with another.
 b) The declared vibration total value may also be used in a preliminary assessment of exposure.

4) A warning

- a) The vibration emission during actual use of the power tool can differ from the declared total value depending on the ways in which the tool is used.
- b) Identify additional safety measures to protect the operator that are based on an estimation of exposure in the actual conditions of use (taking account of all parts of the operating cycle such as the times when the tool is switched off and when it is running idle in addition to the trigger time).

5. Specifications and List of Contents

1) Specifications

		BXR-11
Power source	-	230-240 V~ 50 Hz
Motor	-	Single phase AC motor
Rated Input	W	1900
Rated speed	min ⁻¹	1 st gear: 150-300 2 st gear: 300-650
Maximum stirrer paddle diameter	mm	140
Weight (EPTA procedure 01/2003)	kg	7,5
Tool holder	-	M14

2) List of Contents

		BXR-11
Stirrer		1x
Spanner		2x
Instruction manual		1x

6. Description of Functions and Applications

1) Description

(See figure 1, 2)

- ① Brush cap
- ② Speed controller
- ③ Lock
- ④ Draw lats
- ⑤ Stirrer
- ⑥ Shift regulator
- ⑦ 14 spindle
- ⑧ Spanner (22 mm)
- ⑨ Spanner (22 mm)

2) Intended use

The power tool is suitable for stirring construction materials in powder form, such as mortar, plaster, adhesives and paints and varnishes which do not contain solvents, as well as similar substances.

3) Function



"SOFT START" function

Ensuring a smooth, soft start of the motor and reducing the starting torque when starting the stirring mechanism.



"RESTART PROTECTION" function

Protection against restarting the engine after the power supply is restored.



"VARIABLE SPEED" function- enables optimal mixing speed settings.



"OVERLOAD PROTECTION" function-

This protection function cuts off the power supply of the motor when the motor is overloaded or the speed is significantly reduced during operation. If the overload protection function is activated, the engine may stop. In this case, release the

tool switch to eliminate the cause of overload. Then you can use it again.

7. Operating Instructions

1) Installing and Removing stirrer

(See figure 2)



Warning

Always turn off the switch and disconnect the plug from the power supply before installing and removing stirrer.

Screw the stirrer paddle ⑤ into the drive spindle ⑦. To do this, hold the drive spindle ⑦ using an open-ended spanner (22 mm) ⑧ and use a second open-ended spanner (22 mm) ⑨ to tighten the stirrer paddle ⑤

The stirrer paddle is disassembled in reverse order.

2) Starting Operation



Warning

Pay attention to the mains voltage. The voltage of the power source must match the voltage specified on the rating plate of the power tool. Power tools marked with 230-240 V can also be operated with 220 V.

Dusts, e. g. mineral dusts, can be harmful to health. Touching or breathing in this dust can trigger allergic reactions and/or cause respiratory illnesses in the user or in people in the near vicinity.

Materials containing asbestos may only be machined by specialists.

- Provide good ventilation at the workplace.
- It is advisable to wear a P2 filter class breathing mask.

The regulations on the material being machined that apply in the country of use must be observed.

3) Mechanical gear selection



Warning

Before changing the speed, make sure that the trigger is in the off position and the machine has completely stopped.

(See figure 3)

Turn the gear controller. For switching, press the shift adjuster ⑥ rotationally in and push in the correct direction, as shown in Fig. is indicated by arrow. The number "1" means low speed, and the number "2" means high speed.

If the gear controller is difficult to turn, turn the spindle back and forth a little, and then operate the gear controller again.

4) Switching on/off

(See figure 4)

When the trigger is pressed, the tool rotates. When the trigger is released, the tool stops.

When the trigger is pressed and the ON lock is set, the machine remains electrified, which is convenient for continuous use. By operating the trigger again, you can unlock the ON lock and shut down the machine.

5) Adjusting the Speed

(See figure 5)

You can use the speed controller to preset the required speed.

6) Work instructions for stirring

- Do not use the power tool when it is connected to a stand.** Bench-mounted operation of the power tool is not permitted.
- Avoid splashing the material.** Otherwise you could slip and lose control of the power tool.
- Avoid continuously operating the power tool at reduced speed.** Otherwise the motor of the power tool could overheat.

Selection of the stirrer paddle is dependent on the material that is to be stirred.

For materials with low viscosity, e.g. emulsion paint, varnishes, adhesive, grouting compound or cement slurry, use a stirrer paddle with a left-hand spiral. The material is moved from the top downwards in a stirrer paddle with a left-hand spiral. The

EN

stirrer paddle is pushed upwards. Materials with low viscosity are mixed in a way which minimises splattering.

For materials with high viscosity, e.g. ready-mixed plaster, concrete, cement, screed, filler or epoxy resin, use a stirrer paddle with right-hand spiral. The material is moved from the bottom upwards in a stirrer paddle with a right-hand spiral. The stirrer paddle works its way into the mixture. Materials with high viscosity are mixed thoroughly.

Move the power tool up and down when working. Clean the stirrer paddle after use.

the best solution.

6) After-sales Service and Customer Assistance

Our after-sales service responds to your questions concerning maintenance and repair of your product as well as spare parts. Exploded views and information on spare parts can also be found under: www.hermantools.com

Our customer service representatives can answer your questions concerning possible applications and adjustment of products and accessories.

8. Maintenance and Servicing



Warning

Disconnect the plug from the power supply before making any maintenance.



Warning

To ensure safe and efficient operation, always keep the power tool and the ventilation slots clean.

1) Screws

Make sure screws in each part are set tightly at regular intervals. When screws are loose, fasten them tightly. The loose screw causes the danger situation.

2) Keep after operation

You must keep the tool out of reach of children in dry place.

3) Abnormal operation

It is very dangerous for customers to troubleshoot or repair the tool for themselves. Contact nearby A/S center (agencies) for solution.

4) X attachment cord

If the supply cord is damaged, it must be replaced by a special cord or assembly available from the manufacturer or its service agent.

5) Malfunction or failure

Troubleshooting or repairing by consumer is dangerous. Call for HERMAN Service Center for

Disposal

The power tool, accessories and packaging should be recycled in an environmentally friendly manner.



Do not dispose of power tools along with household waste.

Only for EU countries:

According to the European Directive 2012/19/ EU on Waste Electrical and Electronic Equipment and its implementation into national law, power tools that are no longer usable must be collected separately and disposed of in an environmentally friendly manner.

If disposed incorrectly, waste electrical and electronic equipment may have harmful effects on the environment and human health, due to the potential presence of hazardous substances.

HERMAN

Herman Slovakia Production s.r.o.
Mokra Luka 226, 05001 Revuca, Slovensko
www.hermantools.com

ELEKTRICKÉ MIEŠADLO

Originálny návod na použitie

SK

Je dôležité, aby ste si prečítali návod na používanie pred prvým použitím náradia. Tento návod vždy uschovajte spolu s náradím. Uistite sa, že návod na použitie je spolu s náradím, ak je určené pre iné osoby.

Obsah

1. Všeobecné pravidlá na bezpečnosť.....	12
2. Bezpečnostné pokyny pre miešadlá	14
3. Pokyny pred použitím	14
4. Emisie hluku a vibrácií	16
5. Technické údaje a rozsah dodávky	16
6. Opis funkcií a pracovných operácií	17
7. Návod na obsluhu	17
8. Starostlivosť a údržba	18

Poznámka

Pretože neustále pracujeme na výskume a vývoji s cieľom rozvíjať kvalitu výrobkov, tvar alebo konštrukcia nášho modelu sa môže zmeniť bez predchádzajúceho upozornenia.

1. Všeobecné pravidlá na bezpečnosť



UPOZORNENIE: Čítajte všetky bezpečnostné upozornenia a výstražné pokyny. Ich nedodržanie môže viesť k zásahu elektrickým prúdom, vzniku požiaru a/alebo vážnym zraneniam. Všetky pokyny a upozornenia uschovajte pre budúce použitie.

Termín „náradie“ vo všetkých ďalších pokynoch označuje náradie pripájané na sieť (so sieťovým káblom) alebo pomocou batérií (bez sieťového kábla).


Termín „elektrické náradie“ vo všetkých ďalších pokynoch označuje náradie a/alebo nabijacie zariadenie pripájané na sieť sieťovým káblom.

Termín „zástrčka“ vo všetkých ďalších


pokynoch sa rovná termínu „elektrická vidlica“ alebo „vidlica“.

Termín „sieťový kábel“ vo všetkých ďalších pokynoch sa rovná termínom „prívodný kábel“, „pohyblivý prívod“.

1) Bezpečnosť na pracovisku


- Udržiavajte pracovisko čisté a dobre osvetlené.** Neupratané a tmavé pracovisko býva príčinou nehôd.
- Neprevádzkujte náradie vo výbušnej atmosfére akou je prítomnosť horľavých kvapalín, plynov alebo pár.** Náradie vytvára iskry, ktoré môžu zapáliť prach alebo výpary.
-  **Počas prevádzky náradia udržujte deti a okoloidúcich v bezpečnej vzdialenosti.** Rozptyľovanie pozornosti môže spôsobiť stratu nad ovládaním náradia.

2) Bezpečnosť elektrického zariadenia


- Vidlica náradia musí byť zhodná so zásuvkou.** Nikdy vidlicu akýmkoľvek spôsobom neupravujte. S uzemneným náradím nikdy nepoužívajte adaptér. Nemodifikované vidlice a k nim zodpovedajúce zásuvky znižujú riziko zásahu elektrickým prúdom.
- Zabráňte telesnému kontaktu s uzemnenými povrchmi ako sú potrubie, vykurovacie telesá, sporáky a chladničky.** Ak je vaše telo spojené so zemou, riziko zásahu elektrickým prúdom je zvýšené.
-  **Nevystavujte náradie dažďu a vlhkému prostrediu.** Prístupom vody sa zvyšuje riziko zásahu elektrickým prúdom.
- Nepoškodzujte šnúru.** Nikdy nepoužívajte šnúru na prenášanie, zatlačovanie alebo vyťahovanie náradia zo siete. Chráňte šnúru pred teplom, olejom, ostrými hranami alebo pohyblivými časťami. Poškodené alebo zamotané šnúry zvyšujú riziko zásahu elektrickým prúdom.
- Ak náradie pracuje vonku, používajte predĺžovaciu šnúru vhodnú do vonkajšieho prostredia.** Použitím šnúry vhodnej na vonkajšie použitie sa zníži riziko zásahu elektrickým prúdom.
- Ak je nevyhnutné pracovať s náradím vo vlhkom prostredí, je nevyhnutné použiť**

napájanie chránené prúdovým chráničom (RCD) s citlivosťou minimálne 30 mA. Použitím prúdového chrániča sa znižuje riziko zásahu elektrickým prúdom.

3) Bezpečnosť osôb pri práci

- a) **Buďte ostražití, sledujte, čo robíte a pri práci s náradím používajte svoje zmysly. Nepoužívajte náradie, ak ste unavení alebo pod vplyvom drog, alkoholu alebo liekov.** Pri chvíľke nepozornosti môže náradie spôsobiť vážne zranenie osôb.
- b)  **Používajte osobné ochranné prostriedky. Vždy si chráňte oči.** Ochranné prostriedky ako sú maska proti prachu, bezpečnostné protišmykové topánky, helma alebo ochrana sluchu používané v príslušných podmienkach, znižujú výskyt zranenia osôb.
- c) **Zabráňte náhodnému spusteniu náradia. Pred pripojením na sieť a/alebo batériu a pred zdvihnutím a prenášaním skontrolujte, či je spínač v polohe vypnuté.** Prenášanie náradia s palcom na vypínači alebo pripojeného na sieť môže spôsobiť úraz.
- d) **Pred pripojením náradia na sieť odstráňte všetky nastavovacie nástroje alebo kľúče.** Kľúče alebo nastavovacie nástroje voľne pripojené k rotačným častiam náradia môžu spôsobiť poranenie osôb.
- e) **Nenamáhajte sa. Zvoľte vhodnú oporu a po celý čas udržiavajte rovnováhu.** Umožňuje to lepšie ovládanie náradia v neočakávaných situáciách.
- f) **Obliekajte sa vhodne. Nenoste voľný odev a šperky. Dbajte na to, aby vaše vlasy, oblečenie a rukavice boli mimo pohybujúcich sa častí.** Voľný odev, šperky, dlhé vlasy alebo brada sa môžu zachytiť do pohybujúcich sa častí.
- g) **Ak je náradie vybavené zariadením na pripojenie odsávača prachu a zberacím zariadením, ubezpečte sa, či sú pripojené a používané správne.** Používanie takých zariadení môže znížiť nebezpečenstvo vzniknuté prítomnosťou prachu.
- h) **Nedovoľte, aby pohodlie a dobrá znalosť výrobku (získané opakovaným používaním) nahradili presné dodržiavanie bezpečnostných pravidiel pre náradie.**

4) Bezpečnosť pri použití a údržbe náradia

- a) **Náradie nepreťažujte. Používajte správne náradie určené pre vaše použitie.** Správne náradie vykoná v rozsahu určenia, na ktoré bolo skonštruované, prácu lepšie a bezpečnejšie.
 - b) **Náradie nepoužívajte, ak sa jeho spínač nedá otočiť do polohy zapnuté a vypnuté.** Každé náradie, ktoré sa nedá ovládať spínačom, je nebezpečné a musí sa opraviť.
 - c)  **Pred akýmkoľvek nastavením, zmenou príslušenstva alebo pri odložení náradia odpojte ho od zdroja napájania a/alebo z batérie.** Takéto preventívne bezpečnostné opatrenia znižujú riziko náhodného spustenia náradia do prevádzky.
 - d) **Nečinné náradie uskladnite mimo dosahu detí a nedovoľte prevádzkovať náradie osobám, ktoré nie sú oboznámené s ním a s týmito pokynmi.** Náradie je v rukách nezaúčenej obsluhy nebezpečné.
 - e) **Vykonávajte údržbu náradia. Skontrolujte správne nastavenie alebo prichytenie pohyblivých súčastí, zlomenie súčastí a všetky ostatné skutočnosti, ktoré môžu ovplyvniť prevádzku náradia.** Ak sú poškodené, dajte náradie pred použitím opraviť. Veľa nehôd je spôsobených nesprávnou údržbou náradia.
 - f) **Udržujte rezné nástroje ostré a čisté.** Správne udržiavané rezné náradie s ostrými reznými hranami je menej náchylné na zovretie a jednoduchšie sa ovláda.
 - g) **Používajte náradie, príslušenstvo, nástroje atď. v súlade s týmito pokynmi a spôsobom uvedeným pre príslušný typ náradia, s prihliadnutím na pracovné podmienky a druh vykonávanej práce.** Použitie náradia na inú prevádzku, ako je určené, vyvoláva nebezpečné situácie.
 - h) **Udržujte rukoväť a úchopové plochy suché, čisté a zbavené oleja a mastnoty.**
- ### 5) Opravy
- a) **Na opravu zverte svoje náradie iba kvalifikovanému servisu, ktorý používa originálne náhradné dielce.** Toto zabezpečí, že bude zachovaná bezpečnosť náradia.

2. Bezpečnostné pokyny pre miešadlá

SK

- a) **Držte náradie oboma rukami za príslušné rukoväti.** Strata kontroly môže spôsobiť zranenie.
- b) **Pri miešaní horľavých materiálov zabezpečte dostatočné vetranie, aby sa nezhromažďovali nebezpečné výpary.** Tvoriace sa výpary sa môžu vdychovať alebo zapáliť iskrami, ktoré vznikajú v elektrickom náradí.
- c) **Nepoužívajte na miešanie potravín.** Elektrické náradie a jeho príslušenstvo nie je určené na spracovanie potravín.
- d) **Napájaciu šnúru vedte mimo pracovnej oblasti.** Napájacía šnúra by sa mohla zachytiť do miešacej metly.
- e) **Dbajte, aby bola miešacia nádoba umiestnená pevne a bezpečne.** Nádoba, ktorá nie je riadne zabezpečená, sa môže nečakane pohnúť.
- f) **Dbajte, aby sa na plášť elektrického náradia nedostali žiadne kvapaliny.** Kvapaliny, ktoré vniknú do elektrického náradia, môžu spôsobiť poškodenie a úraz elektrickým prúdom.
- g) **Postupujte podľa pokynov a výstrah vzťahujúcich sa na miešané materiály.** Miešané materiály môžu byť škodlivé.
- h) **Ak elektrické náradie spadne do miešaného materiálu, okamžite odpojte elektrické náradie od elektrickej siete a dajte ho skontrolovať kvalifikovanému opravárovi.** Kontakt s miešacou metlou, ak je náradie pripojené k elektrickej sieti, môže viesť k úrazu elektrickým prúdom.
- i) **Počas miešania sa nedotýkajte miešacej metly rukami ani do nej nedávajte žiadne predmety.** Kontakt s miešacou metlou môže viesť k závažnému zraneniu.
- j) **Náradie spúšťajte a vypínajte výhradne v miešacej nádobe.** Miešacia metla sa môže ohnúť alebo otáčať nekontrolovaným spôsobom.
- k) **Nepracovávajte žiadne látky, pri ktorých hrozí explózia (napr. ľahko zápalné rozpúšťadlá).** Elektrické náradie produkuje iskry, ktoré by mohli vznikajúce výpary zapáliť.

- l) **Dodržiavajte pokyny a výstražné upozornenia uvedené v karte bezpečnostných údajov (SDS) o miešanom materiáli.** Miešaný materiál môže byť zdraviu škodlivý.
- m) **Elektrické náradie nepoužívajte v stojane.** Elektrické náradie nie je vhodné na stacionárnu prevádzku.

3. Pokyny pred použitím

1) Použitie predlžovacieho kábla

Ak si to vzdialenosť od zdroja energie vyžaduje, použijete predlžovací kábel. Predlžovací kábel musí mať primeranú hrúbku (prierez vodičov) a dĺžku na napájanie elektrickým prúdom. Príliš tenký alebo príliš dlhý kábel spôsobí pokles napätia, ktorý zníži výkon motora. Používajte ho čo najkratšie.

2) Zdroj energie

Dbajte na správne napájacie napätie. Napätie zdroja energie musí zodpovedať napätiu uvedenému na typovom štítku.

3) Sieťová zásuvka

Pokiaľ pri zasúvaní zástrčky do zásuvky počujete praskanie, alebo ide zástrčka veľmi ľahko, nechajte ju skontrolovať odborníkom. Ak budete používať takúto zásuvku, môže dôjsť k prehriatiu alebo požiaru.

4) Skúšobná prevádzka

Pri práci používajte ochranné pomôcky (okuliare, bezpečnostnú prilbu, chrániče sluchu, ochranné rukavice). Pred začatím práce spustíte náradie v smere, aby ste zabránili ohrozeniu iných osôb, a uistíte sa, či náradie pracuje normálne.

5) Pracovisko

Skontrolujte pracovisko s ohľadom na bezpečnosť. Zabrňte hromadeniu prachu na pracovisku. Prach sa môže ľahko vznietiť. Prach z materiálov, ako sú nátery s obsahom olova, minerálov a kovov, môže byť zdraviu škodlivý. Kontakt s prachom alebo vdychnutie prachu

môže vyvolať alergické reakcie na operátora alebo okolostojacich ľudí a / alebo viesť k respiračným infekciám. Určité kovové prachy sa považujú za nebezpečné, najmä v spojení so zliatinami, ako je zinok, hliník alebo chróm. Materiály obsahujúce azbest smú byť spracovávané iba odborníkmi. Zaisťte dobré vetranie pracoviska. Odporúča sa používať respirátor triedy P2.

Dodržiavajte príslušné predpisy vo vašej krajine týkajúce sa materiálov, ktoré sa majú opracovať.

	Pred použitím si prečítajte návod na použitie
	Používajte vhodnú ochrannú prilbu
	Používajte ochranné okuliare
	Používajte ochranu sluchu
	Používajte respirátor proti prachu
	Používajte ochranné rukavice
	Likvidácia elektrických a elektronických zariadení
	Odpad odovzdajte na recykláciu
	Trieda ochrany II

SK

V	Volt	n	Menovité otáčky
A	Ampér	Hz	Hertz
W	Watt	/min or min⁻¹	Otáčky alebo opakovania za minútu
	Striedavý prúd	IP20	Druh ochrany



SK

ES Vyhlásenie o zhode

Vyhlasujeme, že náradie: Elektrické miešadlo


Typ: BXR-11

je vyrobené podľa nasledovných noriem a štandardizovaných dokumentov

EN 62841-1:2015, EN 62841-2-10:2017

a je v súlade so smernicami 2006/42/EC.

HERMAN Slovakia Production s.r.o.,
Mokrá Lúka 226, 05001 Revúca, Slovensko


Ing. Herman Nagypál MBA
CEO
Herman Group a.s.


Mgr Peter Halaj
Riaditeľ technického oddelenia
pre náradie
Herman Slovakia Production s.r.o.

4. Emisie hluku a vibrácií

1) Emisie hluku

Hodnoty emisií hluku stanovené podľa EN 62841-2-10

Hladina akustického výkonu (L_{WA}) [dB(A)]	93,6
Hladina akustického tlaku (L_{PA}) [dB(A)]	85,6
Odchýlka (K) [dB(A)]	3



Operátor musí nosiť ochranu sluchu.

2) Emisie vibrácií

Celková hodnota vibrácií (trojosý vektorový súčet) určená podľa normy EN 62841-2-10

Hodnota vibrácií (a_n)	2,42 m/s ²
Odchýlka (K)	1,5 m/s ²

3) Ďalšie informácie

a) Deklarovaná celková hodnota vibrácií bola meraná v súlade so štandardnou skúšobnou metódou uvedenou v EN 62841-2-10 a môže sa použiť na porovnanie jedného náradia s druhým.

b) Deklarovaná celková hodnota vibrácií sa môže použiť aj na predbežné posúdenie vystavenia ich účinkom.

4) Varovanie

a) Emisie vibrácií počas skutočného používania elektrického náradia sa môžu odlišovať od deklarovanej hodnoty emisií vibrácií, a to v závislosti na spôsoboch používania náradia

b) Nezabudnite označiť bezpečnostné opatrenia s cieľom chrániť obsluhu, a to tie, ktoré sa zakladajú na odhade vystavenia účinkom v rámci reálnych podmienok používania (berú do úvahy všetky súčasti prevádzkového cyklu, ako sú doby, kedy je náradie vypnuté a kedy beží bez zaťaženia, ako dodatok k dobe zapnutia).

5. Technické údaje a rozsah dodávky

1) Technické údaje

		BXR-11
Napätie a frekvencia	-	230-240 V~ 50 Hz
Motor	-	Jednofázový motor
Menovitý príkon	W	1900
Otáčky	min ⁻¹	1. stupeň 150-300 2. stupeň 300-650
Max. priemer nástroja	mm	140
Hmotnosť (EPTA procedure 01/2014)	kg	7,5
Závit vretena	-	M14

2) Rozsah dodávky

	BXR-11
Miešacia metla	1x
Montážny kľúč	2x
Návod na použitie	1x

6. Opis funkcií a pracovných operácií

1) Popis

(obrázok 1, 2)

- ① Krytka uhlíkových kief
- ② Regulátor rýchlosti
- ③ Aretačné tlačítko vypínača
- ④ Vypínač
- ⑤ Miešací nástroj
- ⑥ Prepínač prevodov
- ⑦ Hnacie vreteno
- ⑧ Montážny kľúč (22 mm)
- ⑨ Montážny kľúč (22 mm)

2) Určenie

Toto náradie je určené na rozmiešavanie práškových stavebných materiálov ako je malta, omietka, lepidlo, a farieb, lakov a podobných látok, ktoré neobsahujú rozpúšťadlá.

3) Funkcie



Funkcia "SOFT START" - zabezpečuje plynulý, mäkký rozbeh motora a znižuje záberový moment pri zapnutí miešadla.



Funkcia "RESTART PROTECTION" - ochrana proti opätovnému spusteniu motora po obnovení dodávky elektrickej energie.



Funkcia "VARIABLE SPEED" -

umožňuje nastavenia optimálnych otáčok pri miešaní.



Funkcia "OVERLOAD PROTECTION"-

Táto ochranná funkcia preruší napájanie motora pri jeho preťažení alebo pri výraznom znížení otáčok počas prevádzky.

Ak je aktivovaná funkcia ochrany proti preťaženiu, motor sa môže zastaviť. V takom prípade uvoľnite spínač náradia, aby ste odstránili príčinu preťaženia.

Potom ho môžete znova zapnúť.

7. Návod na obsluhu

1) Montáž a demontáž nástroja

(obrázok 2)



POZOR

Pred všetkými prácami na elektrickom náradí vyťahnite sieťovú zástrčku zo zásuvky.

Naskrutkujte miešací nástroj ⑤ do hnacieho vretena ⑦. Pridržte pritom hnacie vreteno ⑦ pomocou vidlicového kľúča (22 mm) ⑧, a druhým vidlicovým kľúčom (22 mm) ⑨ utiahnite miešací nástroj ⑤.

Demontáž miešacieho nástroja sa robí v opačnom poradí.

2) Uvedenie do prevádzky



POZOR

Dodržiť napätie siete! Napätie zdroja elektrického prúdu sa musí zhodovať s údajmi na typovom štítku elektrického náradia. Elektrické náradie označené pre napätie 230-240 V sa môže prevádzkovať aj s napätím 220 V

Niektoré druhy prachu, napr. minerálny

prach, môžu byť zdraviu škodlivé. Kontakt s takýmto prachom alebo jeho vdychovanie môže vyvolávať alergické reakcie a/alebo ochorenia dýchacích ciest používateľa alebo osôb, ktoré sa nachádzajú v blízkosti. Materiál, ktorý obsahuje azbest, smú spracovávať len odborníci.

- Postarajte sa o dobré vetranie svojho pracoviska.
- Odporúčame používať masku na ochranu dýchacích ciest s filtrom triedy P2.

Dodržiavajte aj predpisy vašej krajiny týkajúce sa spracovávaných materiálov.

3) Mechanické prepínanie rýchlostných stupňov



Pred použitím prepínača prevodov sa uistite, že je vypínač vo vypnutej polohe a náradie je úplne zastavené.

(obrázok 3)

Otočte prepínačom prevodov ⑥ v správnom smere, ako je znázomené na obrázku. Pozícia „1“ znamená nízku rýchlosť a pozícia „2“ znamená vysokú rýchlosť.

Ak je obtiažne otáčať prepínačom (alebo prepínač nejde prepnúť do krajnej polohy), trochu otočte vreteno tam a späť a skúste to znovu.

4) Zapnutie/vypnutie

(obrázok 1, 4)

Stlačením vypínača ④ náradie zapnete. Po uvoľnení vypínača sa náradie vypne.

Po stlačení vypínača ④, a následnom stlačení aretačného tlačítka ③, zostane náradie trvale zapnuté, čo je vhodné pri nepretržitom používaní. Opätovným stlačením vypínača odomknete aretáciu a po uvoľnení sa náradie vypne.

5) Nastavenie otáčok

(obrázok 5)

Pomocou regulátora rýchlosti môžete prednastaviť požadovanú rýchlosť.

6) Pracovné pokyny pre miešanie

- Elektrické náradie nepoužívajte v stojane.** Elektrické náradie nie je vhodné na stationárnu prevádzku.
- Zabráňte rozstrekovaniu miešaného materiálu.** Následkom toho by ste sa mohli pošmyknúť a stratiť kontrolu nad ručným elektrickým náradím.
- Vyhýbajte sa trvalému prevádzkovaniu elektrického náradia so zníženými otáčkami.** V opačnom prípade by sa mohol prehriať motor elektrického náradia.

Výber miešacieho nástroja závisí od miešaného materiálu. Pre miešaný materiál s nízkou viskozitou, ako je napríklad disperzná farba, laky, lepidlá, zalievacia hmota, cementové zmesi, používajte miešací nástroj so špirálou smerom doľava. V miešačom nástroji so špirálou smerom doľava sa materiál prepravuje zhora nadol. Miešací nástroj je tlačný smerom nahor. Miešaný materiál s nízkou viskozitou sa mieša bez toho, aby dochádzalo k prílišnému rozstrekovaniu. Pre miešaný materiál s veľkou viskozitou, ako je napríklad vrchná omietka, betón, cement, poter, tmeliaca hmota, epoxidová živica, používajte miešací nástroj so špirálou smerom doprava. V miešačom nástroji so špirálou smerom doprava sa materiál prepravuje zdola nahor. Miešací nástroj sa zanorí do miešanej hmoty a optimálne premieša materiál s vysokou viskozitou.

Pri práci pohybujte elektrickým náradím hore a dole. Po použití miešací nástroj vyčistite.

Elektrické náradie skladujte na bezpečnom mieste. Zabezpečte, aby nemohlo dôjsť k jeho prevráteniu. Inak sa môže elektrické náradie poškodiť.

8. Starostlivosť a údržba



Pred vykonaním akejkoľvek údržby odpojte zástrčku od zdroja napájania.

**POZOR**

Pre zabezpečenie bezpečnej prevádzky udržiajte náradie a vetracie otvory vždy čisté.

SK

1) Skrutky

V pravidelných intervaloch sa uistite, že všetky skrutky sú pevne utiahnuté. Ak sú skrutky uvoľnené, pevne ich utiahnite. Uvoľnená skrutka môže spôsobiť nebezpečnú situáciu.

2) Uskladnenie

Po práci náradie očistite a uschovajte.



Náradie uchovávajte mimo dosahu detí na suchom mieste.

3) Oprava náradia

Na opravu zverte svoje náradie iba kvalifikovanému servisu, ktorý používa originálne náhradné dielce. Toto zabezpečí, že bude zachovaná bezpečnosť náradia.

4) Prívodný kábel

Ak je napájací kábel poškodený, musí sa vymeniť za originálny kábel od výrobcu alebo za zodpovedajúcu náhradu.

5) Upozornenie po použití

Náradie uskladňujte vo vypnutom stave a na bezpečnom mieste. Ak náradie skladujete v prašnom prostredí, tento prach sa môže dostať do vnútra náradia a spôsobiť poruchu alebo poškodenie.

Originálne náhradné diely musíte zakúpiť v centrách autorizovaných spoločnosťou HERMAN.

6) Popredajný a zákaznícky servis

Náš autorizovaný servis zodpovie na vaše otázky týkajúce sa údržby a opravy vášho náradia, ako aj náhradných dielov. Rozkresy náhradných dielov a informácie o oprave nájdete na www.herman.sk. Naši pracovníci v centre služieb zákazníkom vám ochotne odpovedia na vaše otázky týkajúce sa produktov a príslušenstva.

Likvidácia

Elektrické náradie, príslušenstvo a obaly treba odovzdať na ekologickú recykláciu.



Nevyhadzujte elektrické náradie do bežného odpadu z domácnosti!

Len pre krajiny EÚ:

Podľa európskej smernice 2012/19/EÚ o starých elektrických a elektronických zariadeniach a podľa jej realizácie v národnom práve sa musí už nepoužiteľné elektrické náradie zbierať separovane a odovzdať na ekologickú recykláciu. Pri nesprávnej likvidácii môžu mať staré elektrické a elektronické zariadenia kvôli novej prítomnosti nebezpečných látok škodlivý vplyv na životné prostredie a ľudské zdravie.

HERMAN

Herman Slovakia Production s.r.o.
Mokrá Lúka 226, 05001 Revúca, Slovensko
www.herman.sk

ELEKTROMOS KEVERŐGÉP

Az eredeti használati utasítás fordítása

Mielőtt elkezd a munkát olvassa el ezt a használati utasítást és gondosan őrizze meg a szerszámmal együtt! Abban az esetben, ha átadja valakinek a kéziszerszámot gondoskodjon róla, hogy a használati utasítás is át legyen adva és olvassák el!

Tartalom

1. A kéziszerszámra vonatkozó általános biztonsági előírások	20
2. Biztonsági előírások keverő berendezések számára	22
3. Használat előtti utasítások	25
4. Zaj és vibráció értékek	26
5. Műszaki adatok és a csomagolás tartalma	27
6. A kéziszerszám és a funkciók leírása	27
7. Használati utasítás	27
8. Karbantartás és javítás	29

Megjegyzés

Mivel folyamatosan fejlesztjük termékeinket törekedve az egyre jobb minőségre, ezért a termékeink alakja vagy belső szerkezete előzetes figyelmeztetés nélkül megváltozhat.

1. A kéziszerszámra vonatkozó általános biztonsági előírások**FIGYELMEZTETÉS: Olvassa**

el az összes biztonsági figyelmeztetést és előírást. A következőkben leírt előírások betartásának elmulasztása áramütésekhez, tűzhez és/vagy súlyos testi sérülésekhez vezethet. Kérjük a későbbi használatra gondosan őrizze meg ezeket az előírásokat.

Az alább alkalmazott „készülék” fogalom a továbbiakban a hálózati elektromos kéziszerszámokat (hálózati csatlakozó kábellel) és az akkumulátoros elektromos kéziszerszámokat (hálózati csatlakozó kábel nélkül) foglalja magában.

Az alább alkalmazott „elektromos kéziszerszám” fogalom a továbbiakban a hálózati elektromos kéziszerszámokat és/vagy

akkumulátor töltő berendezéseket jelöl amelyek az elektromos hálózatra hálózati csatlakozó kábellel csatlakoznak.


Az alább alkalmazott „csatlakozó dugó” fogalom a továbbiakban megfelel a „dugasvilla” fogalomnak.

Az alább alkalmazott „kábel” fogalom a továbbiakban megfelel a „hálózati csatlakozó kábel” fogalomnak.

1) Munkabiztonság a munkahelyen

a) **Tartsa tisztán és jól megvilágított állapotban a munkahelyét.** A rendetlenség és a megvilágítatlan munkaterület balesetekhez vezethet.


b) **Ne dolgozzon a berendezéssel olyan robbanásveszélyes környezetben, ahol éghető folyadékok, gázok vagy porok vannak.** Az elektromos kéziszerszámok szikrákat keltenek, amelyek a port vagy a gőzöket meggyújthatják.

c)  **Tartsa távol a gyerekeket és az idegen személyeket a munkahelytől, ha az elektromos kéziszerszámot használja.** Ha elvonják a figyelmét, elvesztheti az uralmát a készülék felett.

2) Az elektromos készülék biztonsági előírásai

a) **A készülék csatlakozó dugójának bele kell illeszkednie a dugaszolóaljzatba. A csatlakozó dugót semmilyen módon sem szabad megváltoztatni.** Védőföldeléssel ellátott készülékekkel kapcsolatban ne használjon csatlakozó adaptert. A változtatás nélküli csatlakozó dugók és a megfelelő dugaszoló aljzatok csökkentik az áramütés kockázatát.

b) **Kerülje el a földelt felületek, mint például csövek, fűtőtestek, hűtőgépek és egyéb berendezések megérintését.** Az áramütési veszélyt megnövekszik, ha a teste le van földelve.

c)  **Tartsa távol az elektromos kéziszerszámot az esőtől vagy nedvességtől.** Ha víz és/vagy nedvesség hatol be egy elektromos kéziszerszámba, az megnöveli az áramütés veszélyét.


d) **Ne károsítsa meg a hálózati kábelt. A szerszámot soha ne hordozza a kábelnél fogva. Sohase húzza ki a hálózati csatlakozó dugót a kábelnél fogva. A csatlakozó dugót ne a kábel segítségével helyezze a csatlakozó aljzatba. Tartsa**

távol a kábelt hőforrásoktól, olajtól, éles élektől és sarkoktól és mozgó gépalkatrészekről. Egy megrongálódott vagy csomókkal teli kábel megnöveli az áramütés veszélyét.

- e) Ha egy elektromos kéziszerszámmal a szabad ég alatt dolgozik, csak szabadban való használatra engedélyezett hosszabbítót használjon. A szabadban való használatra engedélyezett hosszabbító használata csökkenti az áramütés veszélyét.
- f) Ha nem lehet elkerülni az elektromos kéziszerszám nedves környezetben való használatát, alkalmazzon egy hibaáram-védőkapcsolót, (RCD), melynek érzékenysége minimálisan 30 mA. Egy hibaáram-védőkapcsoló alkalmazása csökkenti az áramütés kockázatát.

3) A munkát végző személyek biztonsága

a) Munka közben mindig figyeljen, összpontosítson és meggondoltan dolgozzon az elektromos kéziszerszámmal. Ha fáradt, ha kábítószerek vagy alkohol hatása alatt áll, vagy orvosságokat vett be, ne használja a berendezést. Egy pillanatnyi figyelmetlenség a szerszám használata közben komoly sérülésekhez vezethet.

b)  Viseljen személyi védőfelszerelést és mindig viseljen védőszemüveget. A személyi védőfelszerelések, mint porvédő álarc, csúszásbiztos védőcipő, védősapka és fülvédő használata az elektromos kéziszerszám használata jellegének megfelelően csökkenti a személyi sérülések kockázatát.

c) Kerülje el a készülék akaratlan üzembe helyezését. Győződjön meg arról, hogy az elektromos kéziszerszám ki van kapcsolva, a kapcsoló OFF helyzetben van, mielőtt bedugná a csatlakozó dugót a dugaszolóaljzatba, csatlakoztatná az akkumulátor-csomagot, és mielőtt felvenné és vinni kezdené az elektromos kéziszerszámot. Ha az elektromos kéziszerszám felemelése közben az ujját a kapcsolón tartja, vagy ha a készüléket bekapcsolt állapotban csatlakoztatja az áramforráshoz, ez balesetekhez vezethet.

d) Az elektromos kéziszerszám bekapcsolása előtt okvetlenül távolítsa el a beállítószerszámokat vagy csavar-

kulcsokat. Az elektromos kéziszerszám forgó részeiben felejtett beállítószerszám vagy csavar kulcs sérüléseket okozhat.

e) Figyeljen a stabil alapállásra, ügyeljen arra, hogy mindig biztosan álljon és az egyensúlyát megtartsa. Így az elektromos kéziszerszám felett váratlan helyzetekben is jobban tud uralkodni.


f) Viseljen megfelelő ruhát. Ne viseljen bő ruhát vagy ékszereket. Tartsa távol a haját, szakállát, ruháját és a kesztyűjét a mozgó részekről. A bő ruhát, az ékszereket és a hosszú haját vagy szakállat a mozgó alkatrészek magukkal ránthatják.

g) Ha az elektromos kéziszerszámra csatlakoztathatók a por elszívásához és összegyűjtéséhez szükséges berendezések, akkor ellenőrizze, hogy azok megfelelő módon hozzá vannak kapcsolva a készülékhez és rendeltetésüknek megfelelően működnek. A porgyűjtő berendezések használata csökkenti a munka során keletkező por veszélyes hatását.

4) Munkabiztonság az elektromos kéziszerszám használatakor és karbantartásakor

a) Ne terhelje túl az elektromos kéziszerszámot. A munkájához csak az arra szolgáló elektromos kéziszerszámot használja. Egy alkalmas elektromos kéziszerszámmal a megadott teljesítménytartományon belül jobban és biztonságosabban lehet dolgozni.

b) Ne használjon olyan elektromos kéziszerszámot, amelynek a kapcsolója elromlott. Egy olyan elektromos kéziszerszám, amelyet nem lehet sem be-, sem kikapcsolni, veszélyes és meg kell javíttatni.

c)  Húzza ki a csatlakozó dugót a dugaszolóaljzatról és/vagy az akkumulátor-csomagot az elektromos kéziszerszámból, mielőtt az elektromos kéziszerszámon beállítási munkákat végez, tartozékokat cserél vagy a szerszámot tárolásra elteszi. Ez az elővigyázatossági intézkedés meggátolja a szerszám akaratlan üzembe helyezését.

d) A használaton kívüli elektromos kéziszerszámokat olyan helyen tárolja, ahol azokhoz gyerekek nem férhetnek hozzá. Ne hagyja, hogy olyan személyek használják az elektromos kéziszerszámot,

akik nem ismerik a szerszámot, vagy nem olvasták el ezt az útmutatót. Az elektromos kéziszerszámok veszélyesek, ha azokat gyakorlatlan személyek használják.

HU

e) Végezzen karbantartást az elektromos kéziszerszámon. Ellenőrizze, hogy a mozgó alkatrészek kifogástalanul működnek-e, nincsenek-e beszorulva, és nincsenek-e eltörve vagy megrongálódva olyan alkatrészek, amelyek hatással lehetnek az elektromos kéziszerszám működésére. A berendezés megrongálódott részeit a készülék használata előtt javíttassa meg. Sok olyan baleset történik, amelyet az elektromos kéziszerszám nem kielégítő karbantartására lehet visszavezetni.

f) Tartsa tisztán és éles állapotban a vágószerszámokat. Az éles vágóélekkel rendelkező és gondosan ápolott vágószerszámok ritkábban ékelődnek be és azokat könnyebben lehet vezetni és irányítani.

g) Az elektromos kéziszerszámokat, tartozékokat, betétszerszámokat stb. csak ezen előírásoknak és az adott készüléktípusra vonatkozó kezelési utasításoknak megfelelően használja. Vegye figyelembe a munkafeltételeket és a kivitelezendő munka sajátosságait. Az elektromos kéziszerszám eredeti rendeltetésétől eltérő célokra való alkalmazása veszélyes helyzetekhez vezethet.

5) Az elektromos kéziszerszám javítása

a) Az elektromos kéziszerszámot csak szakképzett személyzet csak eredeti pótalkatrészek felhasználásával javíthatja. Ez biztosítja, hogy az elektromos kéziszerszám biztonságos maradjon.

2. Biztonsági előírások keverő berendezések számára

1) Minden munkafolyamatra vonatkozó előírások

a) Az elektromos szerszámot csiszolásra és vágásra alkalmas gépnek tervezték. Vegye figyelembe a készülékkel kapcsolatos minden biztonsági utasítást, előírást, ábrán található, illetve egyéb, rendelkezésre bocsátott információt. Ha nem követi az alábbi utasításokat, az áramütést, tüzet és/vagy súlyos sérüléseket

eredményezhet.

b) Az elektromos szerszám nem alkalmas csiszolópapírral történő csiszolásra, drótkéfével kapcsolatos munkákra és polírozásra. Ha az elektromos szerszámot nem rendeltetésszerűen használja, azzal veszélyhelyzetet teremthet és sérüléseket okozhat.

c) Ne használjon olyan tartozékot, melyet a gyártó nem kifejezetten ehhez az elektromos szerszámhoz javasol. Még ha rá is tudja szerelni a tartozékot az elektromos szerszámra, az sem garancia arra, hogy biztonságosan tudja majd használni.

d) Győződjön meg róla, hogy az elektromos szerszám orsófordulatszama nem lépi túl a gyártó által megadott és engedélyezett maximális csiszolókorongfordulatszámot. A névleges fordulatszámnál gyorsabban forgó csiszolókorongok eltörhetnek és kirepülhetnek a készülékből.

e) A csiszolókorong külső átmérője és vastagsága feleljen meg az elektromos szerszám specifikációinak. A nem kompatibilis méretekkel rendelkező csiszolókorongok nem rögzíthetők és irányíthatók megfelelően.

f) A csiszolókorongok, az illesztőperemek, a csiszolólapok és egyéb tartozékok illeszkedjenek az elektromos szerszám csiszolóorsójába. Ha a tartozék nem illeszkedik pontosan az elektromos szerszám csiszolóorsójára, akkor az egyenetlenül fog, nagyon rázkódik és az irányítás elvesztését eredményezheti.

g) Ne használjon sérült tartozékot. Minden használat előtt vizsgálja meg a tartozékokat (pl. a csiszolókorongokat), hogy nem pattogzott-e le vagy szakadt el a felületük. Ellenőrizze, hogy a csiszolókorongokon nem látja-e repedés vagy erős kopás nyomait. Ellenőrizze, hogy a drótkéfék nem lazák vagy sérültek-e. Ha az elektromos szerszám vagy a tartozék leesik, ellenőrizze, hogy nem sérült-e meg, és ne használja a sérült tartozékot. Ha megvizsgálta és visszaszerelte a tartozékot, ne tartózkodjon sem Ön, sem más a forgó szerszámmal egy magasságban, és járassa a készüléket egy percig teljes fordulatszámra. A sérült tartozék ez idő alatt rendszerint eltörik.

h) Viseljen személyi védőfelszerelést.

Viseljen az adott helyzettől függően arcvédő maszkot vagy védőszemüveget. Amennyiben szükséges, viseljen fülvédőt, biztonsági kesztyűt vagy speciális kötényt, amely felfogja a csiszolás során a munkadarabról leváló darabkákat. Védje a szemét a levegőben repkedő darabkáktól, melyek a különböző folyamatok során keletkeznek. A védőmaszk legyen képes megszüntetni a folyamat során létrejött port. Halláskárosodást okozhat, ha hosszú ideig nagymértékű zajnak van kitéve.

- i) **Ha mások is vannak a közelben, győződjön meg róla, hogy biztonságos távolságot tartanak a munkaterülettől. A munkaterületre belépő személyek viseljenek személyi védőfelszerelést.** A munkadarabról leváló darabkák vagy a sérült tartozékok a levegőbe repülve akár még a közvetlen munkaterületen kívül is sérülést okozhatnak.
- j) **Az elektromos szerszámot a szigetelt részénél fogja, ha olyan munkálatokat végez, melyek közben fennáll a veszélye, hogy a csiszolókorong rejtett elektromos vezetékhez vagy az elektromos szerszám hálózati kábeléhez érhet.** Ha áramot vezető kábelhez ér, az az elektromos szerszám fém alkatrészeit is feszültség alá helyezi, és áramütést okozhat.
- k) **Tartsa távol a hálózati kábelt a forgó csiszolókorongtól.** Ha elveszti felette az irányítást, szétvághatja a kábelt vagy beleakadhat, és a keze vagy karja a forgó koronghoz kerülhet.
- l) **Soha ne tegye le az elektromos szerszámot, ha az még nem állt le teljesen.** A forgó csiszolókorong belekaphat az alatta lévő felületbe, és elveszítheti az elektromos szerszám felett az irányítást.
- m) **N hagyja bekapcsolva a készüléket, miközben azt az oldalánál tartva hordozza.** Ha véletlenül hozzáér a ruhájához, az beleakadhat a forgó csiszolókorongba, és az elektromos szerszám a testébe vághat.
- n) **Rendszeresen tisztítsa az elektromos szerszám szellőzőnyílásait.** A motorventilátor a készülék belseje felé áramoltatja a port, és a túlzott mértékben felgyülemlett fémport elektromos veszélyt jelenthet.
- o) **Ne használja az elektromos szerszámot gyúlékony anyagok közelében.** Az ilyen

jellegű anyagok meggyulladhatnak a szikrázás miatt.

- p) **Ne használjon olyan tartozékot, melyhez folyékony hűtőanyagra van szüksége.** A víz és egyéb folyékony hűtőanyagok használata áramütéshez vezethet.

2) Visszacsapódás és az ahhoz tartozó figyelmeztetések.

A visszacsapódás egy elakadt vagy megakadt forgó szerszám (pl. csiszolókorong, csiszolótányér, drótkefe stb.) következtében jelentkező hirtelen reakció. A megakadás, illetve elakadás a használatban lévő, forgó szerszám hirtelen leállítását eredményezi. Az emiatt irányíthatatlan elektromos szerszám az elakadás helyén a használatban lévő szerszám forgásával ellenkező irányba gyorsul.

Ha például egy csiszolókorong megakad vagy elakad a munkadarabban, akkor az a pereme, mely a munkadarabhoz ér, beleragadhat, így a csiszolókorong kitérhet a

helyéről vagy visszacsapódhat. Attól függően, hogy a korong milyen irányba forog az elakadás helyénél, a csiszolókorong ekkor vagy a gépkezelő személy felé, vagy tőle távolodva halad. A csiszolókorong közben el is törhet. A visszacsapódás az elektromos szerszám nem megfelelő vagy hibás használatának következménye. Azt a megfelelő óvintézkedésekkel, például a következő utasítások alkalmazásával meg lehet előzni.

- a) **Fogja erősen az elektromos szerszámot, a testét és karjait pedig úgy tartsa, hogy képes legyen az irányítást megtartani a visszacsapódáskor jelentkező erővel szemben.** Ha felszerelte, mindig használja a kiegészítő markolatot, hogy az elindítás közben a lehető legoptimálisabb irányítást gyakorolja a visszacsapódáskor jelentkező erővel, illetve a forgatónyomaték-ellenhatással szemben. A megfelelő óvintézkedések betartásával a gépet kezelő személy képes lesz megtartani az irányítást a visszacsapódáskor jelentkező erővel és a forgatónyomaték-ellenállással szemben.
- b) **Ne tegye a kezét a forgó csiszolókorong közelébe.** Visszacsapódás esetén a csiszolókorong belekaphat a kezébe.
- c) **Ne legyen a teste azon a területen belül, amerre az elektromos szerszám visszacsapódás esetén mozdul. A**

visszalökés az elektromos szerszámot a csiszolókorong mozgásával ellentétes irányba mozdítja az ütközési pontnál.

d) Különösen akkor legyen óvatos, ha sarkoknál, éles peremeknél stb. dolgozik. Próbálja elkerülni, hogy a tartozék megpattanjon vagy nekiütközzön valaminek. Sarkok, éles peremek vagy repedések esetén még valószínűbb, hogy a csiszolókorong megpattan valamin, ami az irányítás elvesztését vagy visszacsapódást eredményezhet.

e) Ne használjon lánc- vagy fogazott fűrészlapot. Az ilyen jellegű szerszámok használata gyakran visszacsapódást vagy az elektromos szerszám feletti irányítás elvesztését eredményezi.

3) Kiegészítő biztonsági utasítások a csiszoláshoz és a vágáshoz

a) Kizárólag az elektromos szerszámhoz javasolt csiszolószerszámot, valamint az adott szerszámhoz szánt védőburkolatot használja. Azon csiszolószerszámok, melyeket nem az elektromos szerszámhoz terveztek, adott esetben nem biztosítanak kellő takarást, így nem biztonságosak.

b) A védőburkolatot biztonságosan kell rögzíteni az elektromos szerszámhoz, és a maximális biztonság érdekében úgy kell beállítani, hogy a penge minimális része legyen szabadon a kezelő felé. A védőburkolat segít megvédeni a kezelőt a penge letört darabjaitól, a pengével való véletlen érintkezéstől és a szikrától, amely meggyújthatja a ruházatot.

c) A tárcsákat csak az ajánlott alkalmazásokhoz szabad használni. Például: ne csiszoljon a csiszolókorong oldalával. A csiszolókorongokat körkörös csiszolásra tervezték; az ezekre a korongokra ható oldalirányú erők törést okozhatnak.

d) Mindig sérülésmentes, a kiválasztott koronghoz megfelelő méretű és alakú korongkarimákat használjon. A megfelelő tárcsakarimák megtámasztják a tárcsát, és így csökkentik a tárcsatörés lehetőségét. A csiszolókorongok karimái eltérhetnek a csiszolókorongok karimáitól.

e) Ne használjon nagyobb erőgépekből származó kopott korongokat. A nagyobb erőgépekhez tervezett tárcsa nem alkalmas a kisebb szerszámok nagyobb

fordulatszámára, és megrepedhet.

4) A csiszolásra vonatkozó biztonsági figyelmeztetések

a) Ne „akassza be“ a csiszolókorongot, és ne alkalmazzon túlzott nyomást. Ne próbáljon meg túl mély vágást végezni. A penge túlterhelése (túlzott igénybevétele) növeli a terhelést és a penge csavarodására vagy rögzülésére való hajlamot a vágásban, valamint a visszarúgás vagy a pengetörés lehetőségét.

b) A munkapozíciója nem lehet a forgó tárcsával egy szintben vagy mögötte. Amikor a penge a munkapontban eltávolodik az Ön testétől, az esetleges visszarúgás közvetlenül Önre dobhatja a forgó pengét és az elektromos szerszámot.

c) Ha a penge elakad, vagy ha a vágás bármilyen okból megszakad, kapcsolja ki az elektromos szerszámot, és hagyja az elektromos szerszámot mozdulatlanul, amíg a penge teljesen meg nem áll. Soha ne próbálja meg eltávolítani a büttykös kereket a vágásból, miközben a kerék mozgásban van, különben visszarúgás léphet fel. Keresse meg és tegyen korrekciós intézkedéseket a tárcsa elakadásának okának megszüntetésére.

d) Ne indítsa újra a vágási műveletet a munkadarabon. Hagyja, hogy a kés elérje a teljes sebességet, és óvatosan illessze be a vágásba. A tárcsa elakadhat, feljöhethet, vagy visszarúgást okozhat, ha az elektromos szerszámot újraindítja a munkadarabon.

e) Ha a munkadarab túl nagy, támassza meg, hogy a penge beszorulásának és a visszarúgás veszélyét minimálisra csökkentse. A nagyméretű munkadarabok hajlamosak megereszkedni saját súlyuk alatt. A munkadarab alatt a vágási vonal közelében és a munkadarab szélénél a penge mindkét oldalán támasztékokat kell elhelyezni.

f) Különös körültekintéssel járjon el, ha meglévő falba vagy egyéb, nem belátható területen készül vágni. A felületbe mélyesztett vágókorong a vágás során gáz- vagy vízvezetékbe, elektromos vezetékbe vagy más tárgyba ütközve visszacsapódhat.

5) Kiegészítő biztonsági előírások a csiszoláshoz

a) Ne használjon túl nagy csiszolókorongot.

A csiszolókorong kiválasztásakor kövesse a gyártó ajánlásait. A csiszolóalátét méretét meghaladó csiszolókorong szakadásveszélyt eredményez, és a a tekercs elakadását, elszakadását vagy visszarágását okozhatja.

Biztosítsa a munkaterület jó szellőzését. Javasolt P2 osztályú légzőkészülék viselése

Tartsa be a kezelendő anyagokra vonatkozó országos előírásokat.

HU

3. Használat előtti utasítások

1) Hosszabbító kábel használata

Ha az áramforrástól való távolság megkívánja, használjon hosszabbító kábelt. A hosszabbító kábelnek a tápegységnek megfelelő vastagságúnak (a vezetékek keresztmetszete) és hosszúságúnak kell lennie. A túl vékony vagy túl hosszú kábel feszültségesést okoz, ami csökkenti a motor teljesítményét. Használja a lehető legrövidebbet.

2) Energiaforrás

Biztosítsa a megfelelő hálózati feszültséget. A tápegység feszültségének meg kell egyeznie a típustáblán feltüntetett feszültséggel.

3) Hálózati aljzat

Ha pattogó hangot hall, amikor a dugót a konnektorba dugja, vagy ha a dugó nagyon könnyen megy be, ellenőriztesse szakemberrel. Ha ilyen aljzatot használ, túlmelegedés vagy tűz keletkezhet.

4) Tesztüzem

A munka megkezdése előtt tegye fel a védőfelszerelést (védőszemüveg, védősisak, fülvédő, védőkesztyű), és kapcsolja be a szerszámot olyan irányba, hogy elkerülje a többi személyt. Ellenőrizze, hogy a szerszám rendesen működik-e.

5) Munkahely

Ellenőrizze a munkahelyet a biztonság szempontjából.

Kerülje a por felhalmozódását a munkahelyen. A por könnyen meggyulladhat. Az olyan anyagokból származó por, mint az ólomtartalmú festék, ásványi anyagok és fémek, káros lehet az egészségre. A porral való érintkezés vagy a por belélegzése allergiás reakciókat okozhat a kezelőnél vagy a közelben állóknál és légúti fertőzésekhez vezethet.

Bizonyos fémporok veszélyesnek minősülnek, különösen olyan ötvözetekkel együtt, mint a cink, az alumínium vagy a króm.

Azbeszttartalmú anyagokkal csak szakemberek dolgozhatnak.



Használat előtt olvassa el a használati utasítást



Használjon védősisakot



Használjon védőszemüveget



Használjon fülvédőt



Használjon por elleni védőmaszkot



Használjon védőkesztyűt



Elektromos és elektronikus berendezések ártalmatlanítása



A hulladékot adja le újrahasznosításra



Érintésvédelmi osztály II

V	Volt	n	Névleges fordulatszám
A	Ampér	Hz	Hertz
W	Watt	/min or min⁻¹	Fordulatszám percenként
	Váltóáram	IP20	Védettség fok



ES Nyilatkozat

Egyedüli felelősséggel kijelentjük, hogy a Gép megnevezése: Elektromos keverőgép
Típus sz./ Típus: BXR-11
megfelel a következő európai irányelveknek és rendeleteknek EN 62841-1, EN 62841-2-10:2017, 2006/42/EC.

Herman Slovakia Production s.r.o.

Mokrá Lúka 226, 05001 Revúca, Szlovákia

Ing. Herman Nagypál MBA
CEO
Herman Group a.s.

Mgr Peter Halaj
A szerszámok műszaki osztályának igazgatója
Herman Slovakia Production s.r.o.

4. Zaj és vibráció értékek

1) Zaj

Hangteljesítményszint (LWA) [dB(A)]	93,6
Hangnyomásszint (LpA) [dB(A)]	85,6
Bizonytalanság (K) [dB(A)]	3

2) Vibráció

Rezgési összérték (a _h)	2,42m/s ²
Bizonytalanság (K)	1,5m/s ²

3) Megjegyzések az értékekhez

- az EN 62841-2-10 szabvány szerint meghatározott teljes rezgésérték (háromtengelyes vektor-összeg)
- A bejelentett rezgés kibocsátási értéket szabványos vizsgálati módszerrel mérték, és

az egyik szerszámot össze lehet hasonlítani a másikkal.

• A bejelentett rezgés kibocsátási érték a rezgés expozíció előzetes értékelésére is használható. A bejelentett rezgésértéket a fő motoros szerszámok alkalmazásánál használják. Ha azonban a szerszámot más célra használják, a rezgés kibocsátási érték eltérő lehet.

5. Műszaki adatok és a csomagolás tartalma

1) Az eszköz műszaki adatai

		BXR-11
Feszültség és frekvencia	-	230-240 V~ 50 Hz
Motor		egyfázisú villanymotor
Névleges teljesítmény	W	1900
Fordulatszám	min ⁻¹	I. 150-300 II. 300-650
A keverőkosár legnagyobb átmérője	mm	140
Súly (EPTA eljárás, 2014/01)	kg	7,5
Az orsó menetmérete	-	M14

2) A csomagolás tartalma

	BXR-11
Keverőkosár	1x
Csavarkulcs	2x
Használati utasítás	1x

6. A kéziszerszám és a funkciók leírása

1) A kéziszerszám felépítése (ábra 1, 2)

- ① Karbon borítás
- ② Sebesség szabályozó
- ③ A be-/kikapcsoló bekapcsolás reteszelője
- ④ Be-/kikapcsoló
- ⑤ Keverőkosár
- ⑥ Fokozatváltó kapcsoló
- ⑦ Hajtótengely
- ⑧ Szerelőkulcs (22 mm)
- ⑨ Szerelőkulcs (22 mm)

2) Rendeltetészerű használat

Az elektromos kéziszerszám poralakú építőanyagok, mint habarcs, vakolat, ragasztóanyagok, valamint oldószert nem tartalmazó festékek, lakkok és hasonló anyagok kikeverésére szolgál.

3) Jellemzők



“SOFT START” funkció - biztosítja a

sima, lágy motorindítást és csökkenti a keverő indítási nyomatékát.



“RESTART PROTECTION” funkció

- védelem a motor újraindulása ellen az áramellátás visszaállításakor.



“VARIABLE SPEED” funkció - lehetővé

teszi az optimális keverési sebesség beállítását.



“OVERLOAD PROTECTION” funkció

- Ez a védelmi funkció megszakítja a motor tápellátását, ha túlterhelődik, vagy ha működés közben jelentősen csökken a fordulatszám.

Ha a túlterhelés elleni védelem funkció be van kapcsolva, a motor leállhat. Ebben az esetben engedje el a szerszámkapcsolót a túlterhelés okának megszüntetéséhez. Ezután újra bekapcsolhatja.

7. Használati utasítás

1) Szerszámcseré

(ábra 2)

HU



FIGYELEM

Az elektromos kéziszerszámon végzendő bármely munka megkezdése előtt húzza ki a csatlakozó dugót a dugaszolóaljzatból.

Csavarja bele a ⑤ keverőkosarat a ⑦ hajtóorsóba. Ehhez tartsa fogva a ⑦ hajtóorsót egy villáskulccsal (kulcsszélesség 22 mm) ⑧, és egy második villáskulccsal (kulcsszélesség 22 mm) ⑨ húzza meg szorosra a ⑤ keverőkosarat.

A keverőkosár leszereléséhez ugyanezeket a lépéseket kell fordított sorrendben végrehajtani.

2) Üzembe helyezés



FIGYELEM

Ügyeljen a helyes hálózati feszültségre! Az áramforrás feszültségének meg kell egyeznie az elektromos kéziszerszám típus tábláján található adatokkal. A 230-240 V-os berendezéseket 220 V hálózati feszültségről is szabad üzemeltetni.

A porok, például az ásványi porok, egészségkárosító hatásúak lehetnek. A poroknak a kezelő vagy a közelben tartózkodó személyek által történő megérintése vagy belégzése allergikus reakciókat és/vagy a légutak megbetegedését vonhatja maga után.

A készülékkel azbeszteszt tartalmazó anyagokat csak szakembereknek szabad megmunkálniuk.

- Gondoskodjon a munkahely jó szellőztetéséről.
- Ehhez a munkához célszerű egy P2 szűrőosztályú porvédő álcot használni.

A feldolgozásra kerülő anyagokkal kapcsolatban tartsa be az adott országban érvényes előírásokat.

3) Mechanikus fokozatválasztás



FIGYELEM

A fokozatválasztó kapcsolót csak álló elektromos kéziszerszám mellett szabad átkapcsolni.

(ábra 3)

Forgassa a sebességváltót ⑥ a megfelelő irányba az ábrán látható módon. Az „1” pozíció alacsony, a „2” pozíció pedig nagy sebességet jelent.

Ha nehéz elfordítani a kapcsolót (vagy a kapcsolót nem lehet szélső helyzetbe állítani), forgassa el az orsót egy kicsit előre-hátra, és próbálkozzon újra.

4) Be- és kikapcsolás

(ábrák 1, 4)

Nyomja meg a kapcsolót ④ a szerszám bekapcsolásához. A kapcsoló elengedésekor a szerszám kikapcsol.

A kapcsoló ④, majd a reteszelőgomb ③ megnyomása után a szerszám folyamatosan bekapcsolva marad, ami folyamatos használatra alkalmas. A kapcsoló ismételt megnyomása feloldja a zárat, és elengedés után a szerszám kikapcsol.

5) A fordulatszám beállítása

(ábra 5)

A sebességszabályozó segítségével előre beállíthatja a kívánt sebességet.

6) Munkavégzési útmutató a keveréshez

- Ne használja az elektromos kéziszerszámot egy állvánnyal.** Az elektromos kéziszerszám rögzített helyzetben való üzemre nincs engedélyezve.
- Kerülje el a keverésre kerülő anyag szétfröccsentését.** Ellenkező esetben elcsúszhat és elvesztheti az uralmát az elektromos kéziszerszám felett.
- Kerülje el az elektromos kéziszerszám csökkentett fordulatszámmal való tartós üzemeltetését.** Ellenkező esetben az elektromos kéziszerszám motorja túlhevülhet.

A keverőkosarat a keverésre kerülő anyagtól függően kell megválasztani.

Alacsony viszkozitású anyagok, mint például diszperziós festék, lakk, ragasztó, kiöntő anyag, cementiszap keveréséhez használjon balcsavaros keverőkosarat. A balcsavaros keverőkosár az anyagot felülről lefelé továbbítja. A keverőkosarat az anyag felfelé mutató irányba nyomja. Az alacsony viszkozitású anyag gyakorlatilag fröccsenésmentesen kerül összekeverésre.

Magas viszkozitású anyagokhoz, mint például készvakolat, beton, cement, esztrich, spatulázó massa, epoxidgyanta használjon jobbscavaros keverőkosarat. A jobbscavaros keverőkosár az anyagot alulról felfelé továbbítja. A keverőkosár lassan belemerül a keverésre kerülő anyagba. A magas viszkozitású anyag optimálisan összekeveredik.

A munka során mozgassa fel- és lefelé az elektromos kéziszerszámot. Használat után mindig tisztítsa meg a keverőkosarat.

Az elektromos kéziszerszámot biztonságos helyen tárolja. Gondoskodjon arról, hogy az ne dőlhessen fel. Ellenkező esetben az elektromos kéziszerszám megrongálódhat.

8. Karbantartás és javítás



FIGYELEM

A karbantartás megkezdése előtt húzza ki a csatlakozó dugót a feszültségforrásból.



FIGYELEM

Tartsa mindig tisztán az elektromos kéziszerszámot és annak szellőzőnyílásait, hogy jól és biztonságosan dolgozhasson.

1) Csavarok

Rendszeres időközönként ellenőrizze, hogy minden csavar biztonságosan meg van-e húzva. Ha a csavarok meglazultak, húzza meg őket erősen. Egy meglazult csavar veszélyes helyzetet okozhat.

2) Tárolás

Munka után tisztítsa meg és tárolja a szerszámot.



Tartsa a szerszámot gyermekek elől elzárva, száraz helyen.

3) Szerszámok javítása

Szerszámait csak szakképzett javítóra bizza, aki a javításhoz eredeti pótalkatrészeket használ. Ez biztosítja a szerszám biztonságának megőrzését.

4) Tápkábel

Ha a tápkábel megsérült, azt a gyártó eredeti kábelére vagy azzal egyenértékű helyettesítőre kell cserélni

5) Használat utáni figyelmeztetések

A szerszámot kikapcsolt állapotban és biztonságos helyen tárolja. Ha a csiszológépet poros környezetben tárolja, a por a szerszám belsejébe kerülhet, és meghibásodást vagy károsodást okozhat.

Eredeti pótalkatrészeket csak a HERMAN hivatalos központjaiban lehet beszerezni.

6) Értékesítés utáni ügyfélszolgálat

A szerszám karbantartásával és javításával, valamint a pótalkatrészekkel kapcsolatos kérdéseire hivatalos szervizünk válaszol. A pótalkatrészek ütemtervét és a javítással kapcsolatos információkat a www.herman.sk weboldalon találja. Ügyfélszolgálatunk munkatársai szívesen válaszolnak a termékekkel és tartozékokkal kapcsolatos kérdéseire.

Eltávolítás

Az elektromos kéziszerszámokat, a tartozékokat és a csomagolást a környezetvédelmi szempontoknak megfelelően kell újrafelhasználásra előkészíteni.



Ne dobja ki az elektromos kéziszerszámokat a háztartási szemétkébe!

Csak az EU-tagországok számára:

A használt villamos és elektronikus berendezésekre vonatkozó 2012/19/EU sz. Európai Irányelvnek és ennek a megfelelő országok jogharmonizációjának megfelelően a már használhatatlan elektromos kéziszerszámokat külön össze kell gyűjteni és a környezetvédelmi szempontból megfelelő újra felhasználásra le kell adni.

Szakszerűtlen ártalmatlanítás esetén a már használhatatlan elektromos és elektronikus készülékek a bennük esetleg található veszélyes anyagok következtében káros hatással lehetnek a környezetre és az emberek egészségére.

HERMAN

Herman Slovakia Production s.r.o.

Mokrá Lúka 226, 05001 Revúca, Szlovákia
www.hermantools.hu

ELEKTRISCHER RÜHRWERK

Übersetzung der ursprünglichen Bedienungsanleitung

Es ist wichtig, dass die Bedienungsanleitung gelesen wird, bevor das Gerät zum ersten Mal in Betrieb genommen wird.

DE

Bewahren Sie diese Bedienungsanleitung immer zusammen mit dem Elektrowerkzeug auf. Stellen Sie sicher, dass die Bedienungsanleitung nur mit dem Elektrowerkzeug zusammen an andere Personen weitergegeben wird.

Inhalt

1. Allgemeine Sicherheitshinweise zum Elektrowerkzeugen.....	30
2. Sicherheitshinweise für Rührwerke.....	32
3. Vor dem Gebrauch prüfen.....	32
4. Geräusch- und Vibrationsemissionen	34
5. Technische Merkmale und Lieferumfang	34
6. Beschreibung der Funktionen und Anwendungen.....	35
7. Bedienungsanleitung	35
8. Wartung und Service.....	36

Hinweis

Da unsere Ingenieure die ständige Forschung und Entwicklung anstreben, um die Qualität der Produkte ständig weiter zu entwickeln, kann die Form oder Struktur unseres Modells ohne vorherige Ankündigung geändert werden.

1. Allgemeine Sicherheitshinweise zum Elektrowerkzeugen

WARNUNG! Lesen Sie alle Sicherheitswarnungen und alle Anweisungen.

Nichtbefolgen der Warnhinweise und Anweisungen kann zu Elektroschock, Feuer und/oder ernsthaften Verletzungen führen.

Speichern Sie alle Warnungen und Anweisungen für zukünftige Referenz.

Der Begriff „Elektrowerkzeug“ in den Warnhinweisen bezieht sich auf Ihr netzbetriebenes (schnurgebundenes) Elektrowerkzeug oder akkubetriebenes (schnurloses) Elektrowerkzeug.

1) Arbeitsplatzsicherheit

a) Halten Sie den Arbeitsbereich sauber und gut beleuchtet.

Unübersichtliche oder dunkle Bereiche laden zu Unfällen ein.

b) Betreiben Sie Elektrowerkzeuge nicht in explosionsgefährdeten Umgebungen, z. B. in der Nähe von brennbaren Flüssigkeiten, Gasen oder Staub.

Elektrowerkzeuge erzeugen Funken, die den Staub oder Rauch entzünden können.



c) Halten Sie Kinder und Zuschauer bei der Arbeit mit einem Elektrowerkzeug fern.

Ablenkungen können dazu führen, dass Sie die Kontrolle verlieren.

2) Elektrische Sicherheit

a) Die Stecker des Elektrowerkzeuges müssen mit der Steckdose übereinstimmen. Verändern Sie niemals den Stecker in irgendeiner Weise. Verwenden Sie keine Adapterstecker mit geerdeten (geerdet) Elektrowerkzeugen.

Unmodifizierte Stecker und passende Steckdosen verringern das Risiko eines Stromschlags.

b) Vermeiden Sie Körperkontakt mit geerdeten Oberflächen, wie z. B. Rohren, Heizkörpern, Herden und Kühlschränken.

Wenn Ihr Körper geerdet ist, besteht ein erhöhtes Risiko eines Stromschlags.



c) Setzen Sie Elektrowerkzeuge nicht Regen oder Nässe aus.

Wasser, das in ein Elektrowerkzeug eindringt, erhöht das Risiko eines Stromschlags.

d) Missbrauchen Sie nicht das Kabel. Verwenden Sie das Kabel niemals zum Tragen, Ziehen oder Ausstecken des Elektrowerkzeugs. Kabel von Hitze, Öl, scharfen Kanten oder beweglichen Teilen fernhalten.

Beschädigte oder verwickelte Kabel erhöhen das Risiko eines Stromschlags.

e) Wenn Sie ein Elektrowerkzeug im Freien benutzen, verwenden Sie ein Verlängerungskabel, das für den Gebrauch im Freien geeignet ist.

Die Verwendung eines für den Einsatz im Freien geeigneten Kabels verringert das Risiko eines Stromschlags.

f) Wenn der Betrieb eines Elektrowerkzeugs an einem feuchten Ort unvermeidbar ist, verwenden Sie eine Fehlerstromschutzeinrichtung.

Die Verwendung eines Fehlerstromschutzschalters reduziert das Risiko eines Stromschlags.

3) Persönliche Sicherheit

a) Bleiben Sie wachsam, beobachten Sie, was Sie tun, und verwenden Sie gesunden Menschenverstand, wenn Sie ein Elektrowerkzeug bedienen. Verwenden Sie kein Elektrowerkzeug, wenn Sie müde sind oder unter dem Einfluss von Drogen, Alkohol oder Medikamenten stehen.

Ein Moment der Unachtsamkeit beim Betrieb von Elektrowerkzeugen kann zu schweren Verletzungen führen.



b) Persönliche Schutzausrüstung verwenden. Augenschutz tragen.

Schutzausrüstungen wie Staubmaske, rutschfeste Sicherheitsschuhe, Schutzhelm oder Gehörschutz, die für angemessene Bedingungen verwendet werden, reduzieren Personenschäden.

c) Verhindern Sie unbeabsichtigtes Starten. Stellen Sie sicher, dass der Schalter ausgeschaltet ist, bevor Sie ihn an die Stromquelle und / oder den Akku anschließen, das Gerät aufnehmen oder tragen.

Das Tragen von Elektrowerkzeugen mit dem Finger am Schalter oder das Einstecken von Elektrowerkzeugen, die eingeschaltet sind, führt zu Unfällen.

d) Entfernen Sie alle Einstellschlüssel oder Schraubenschlüssel, bevor Sie das Gerät einschalten.

Ein Schraubenschlüssel oder Schlüssel, der an einem rotierenden Teil des Elektrowerkzeugs verbleibt, kann zu Verletzungen führen.

e) Übernehmen Sie sich nicht. Halten Sie jederzeit den richtigen Stand und das Gleichgewicht.

Dies ermöglicht eine bessere Kontrolle des Elektrowerkzeugs in unerwarteten Situationen.

f) Kleiden Sie sich entsprechend. Tragen Sie keine lose Kleidung oder Schmuck. Halten Sie Ihre Haare und Kleidung von beweglichen Teilen fern.

Lose Kleidung, Schmuck oder lange Haare können sich in beweglichen Teilen verfangen.

g) Wenn Geräte zum Anschluss von Staubabsaug- und -sammleinrichtungen vorgesehen sind, stellen Sie sicher, dass diese angeschlossen sind und ordnungsgemäß verwendet werden.

Die Verwendung der Staubsammlung kann die Staubgefahr verringern.

4) Gebrauch und Pflege von Elektrowerkzeugen

a) Gebrauchen Sie das Elektrowerkzeug nicht mit Gewalt. Verwenden Sie das richtige Elektrowerkzeug für Ihre Anwendung.

Das richtige Elektrowerkzeug wird die Arbeit mit der Geschwindigkeit, für die es entwickelt wurde, besser und sicherer machen.

b) Verwenden Sie das Elektrowerkzeug nicht, wenn der Schalter es nicht ein- und ausschaltet.

Jedes Elektrowerkzeug, das nicht mit dem Schalter gesteuert werden kann, ist gefährlich und muss repariert werden.



c) Ziehen Sie den Stecker aus der Steckdose und/oder entfernen Sie den Akku (falls abnehmbar) vom Elektrowerkzeug, bevor Sie Einstellungen vornehmen, Zubehörteile wechseln oder Elektrowerkzeuge aufbewahren.

Solche vorbeugenden Sicherheitsmaßnahmen verringern das Risiko, das Elektrowerkzeug versehentlich zu starten.

d) Lagern Sie Elektrowerkzeuge im Leerlauf außerhalb der Reichweite von Kindern und lassen Sie Personen, die mit dem Elektrowerkzeug oder diesen Anweisungen nicht vertraut sind, das Elektrowerkzeug nicht benutzen.

Elektrowerkzeuge sind in den Händen ungeübter Benutzer gefährlich.

e) Pflegen Sie Elektrowerkzeuge und Zubehör. Überprüfen Sie, ob falsche Ausrichtung oder Verkantung beweglicher Teile, Teilebruch oder andere Umstände den Betrieb des Elektrowerkzeugs beeinträchtigen könnten. Bei Beschädigung das Elektrowerkzeug vor dem Gebrauch reparieren lassen.

Viele Unfälle werden durch schlecht gewartete Elektrowerkzeuge verursacht.

f) Schneidwerkzeuge scharf und sauber halten.

Richtig gepflegte Schneidwerkzeuge mit scharfen

Schneidkanten bleiben weniger hängen und sind leichter zu kontrollieren. |

- g) Verwenden Sie das Elektrowerkzeug, Zubehör und Werkzeugeinsätze usw. gemäß dieser Anleitung, unter Berücksichtigung der Arbeitsbedingungen und der auszuführenden Arbeiten.**

Die Verwendung des Elektrowerkzeugs für andere als die vorgesehenen Vorgänge könnte zu einer gefährlichen Situation führen.

5) Bedienung

- a) Lassen Sie Ihr Elektrowerkzeug von einem qualifizierten Wartungstechniker reparieren, der nur identische Ersatzteile verwendet.**
Dies stellt sicher, dass die Sicherheit des Elektrowerkzeugs erhalten bleibt.

2. Sicherheitshinweise für Rührwerke

- a) Halten Sie das Elektrowerkzeug mit beiden Händen an den dafür vorgesehenen Handgriffen.** Ein Verlust der Kontrolle kann zu Verletzungen führen.
- b) Sorgen Sie, zur Vermeidung einer gefährlichen Atmosphäre, für ausreichende Belüftung beim Verrühren von brennbaren Stoffen.** Sich bildende Dämpfe können eingeatmet oder durch die vom Elektrowerkzeug erzeugten Funken entzündet werden.
- c) Verrühren Sie keine Lebensmittel.** Elektrowerkzeuge und deren Einsatzwerkzeuge sind nicht zum Verarbeiten von Lebensmitteln konstruiert.
- d) Halten Sie die Netzanschlussleitung vom Arbeitsbereich fern.** Die Netzleitung kann sich im Rührkorb verfangen.
- e) Sorgen Sie für einen festen und sicheren Stand des Rührbehälters.** Ein nicht ordnungsgemäß gesicherter Behälter kann sich unverhofft bewegen.
- f) Achten Sie darauf, dass keine Flüssigkeit gegen das Gehäuse des Elektrowerkzeugs spritzt.** In das Elektrowerkzeug eingedrungene Flüssigkeit kann zu Beschädigung und elektrischem Schlag führen.

- g) Befolgen Sie die Anweisungen und Sicherheitshinweise für das zu verrührende Material.** Das zu verrührende Material kann gesundheitsschädlich sein.
- h) Falls das Elektrowerkzeug in das zu verrührende Material fällt, ziehen Sie sofort den Netzstecker und lassen die das Elektrowerkzeug durch qualifiziertes Fachpersonal prüfen.** Hineingreifen in den Behälter mit dem noch an der Steckdose hängenden Elektrowerkzeug darin kann zu einem elektrischen Schlag führen.
- i) Greifen Sie während des Rührvorgangs nicht mit den Händen in den Rührbehälter oder führen Sie keine anderen Gegenstände hinein.** Ein Kontakt mit dem Rührkorb kann zu ernsthaften Verletzungen führen.
- j) Lassen Sie das Elektrowerkzeug nur im Rührbehälter an- und auslaufen.** Der Rührkorb kann in unkontrollierter Weise herumschleudern oder verbiegen.
- k) Bearbeiten Sie keine explosionsgefährlichen Stoffe (z.B. leicht entzündliche Lösemittel).** Elektrowerkzeuge erzeugen Funken, die entstehende Dämpfe entzünden können.
- l) Befolgen Sie die Anweisungen und Warnhinweise im Sicherheitsdatenblatt (SDB) des zu rührenden Materials.** Das zu rührende Material kann gesundheitsschädlich sein.
- m) Benutzen Sie das Elektrowerkzeug nicht in einem Ständer.** Das Elektrowerkzeug ist nicht für den stationären Betrieb zugelassen..

3. Vor dem Gebrauch prüfen

1) Verlängerungskabel

Verwenden Sie ein Verlängerungskabel, wenn der Abstand zur Stromquelle die Verwendung erfordert. Das Verlängerungskabel muss für die Stromversorgung eine geeignete Dicke und Länge haben. Ein zu dünnes oder zu langes Kabel führt zu einem Spannungsabfall und verringert die Motorleistung. Verwenden Sie es so kurz wie möglich.

2) Die Energiequelle

Beachten Sie die korrekte Netzspannung. Die

Spannung der Stromquelle muss mit der auf dem Typenschild angegebenen Spannung übereinstimmen.

3) Netzsteckdose

Wenn beim Einstecken des Steckers ein Geräusch zu hören ist oder wenn es leicht herausgenommen werden kann, müssen Sie es reparieren. Bitte wenden Sie sich an ein Elektrofachgeschäft in der Nähe.

Wenn Sie die Netzsteckdose so verwenden, wie sie ist, führt dies durch Überhitzung zum Unfall.

4) Probelauf

Bevor Sie mit den Arbeiten beginnen, tragen Sie einen Schutz (Schutzbrille, Schutzhelm, Gehörschutzstöpsel, Schutzhandschuhe) und führen Sie das Gerät in die Richtung, in der Sie andere Personen meiden, um zu sehen, ob das Gerät normal funktioniert.

5) Arbeitsplatz

Überprüfen Sie den Arbeitsplatz unter Berücksichtigung von Vorsichtsmaßnahmen.

Staubansammlung am Arbeitsplatz vermeiden. Stäube können sich leicht entzünden.

Stäube aus Materialien wie bleihaltigen Beschichtungen, Mineralien und Metall können gesundheitsschädlich sein.

Kontakt mit oder Einatmen der Stäube kann allergische Reaktionen auf den Bediener oder Umstehende auslösen und / oder zu Atemwegsinfektionen führen.

Bestimmte Metallstäube gelten als gefährlich, insbesondere in Verbindung mit Legierungen wie Zink, Aluminium oder Chrom.

Asbesthaltige Materialien dürfen nur von Fachleuten bearbeitet werden.


Sorgen Sie für eine gute Belüftung des Arbeitsplatzes.

Es wird empfohlen, ein Atemschutzgerät der P2-Filterklasse zu tragen.

Beachten Sie in Ihrem Land die entsprechenden Vorschriften für die zu bearbeitenden Materialien.

	Lesen Sie vor der Verwendung die Bedienanleitung
	Tragen Sie einen Schutzhelm
	Schutzbrille tragen
	Tragen Sie Gehörschutz
	Benutzen Sie eine Gesichtsmaske
	Schutzhandschuhe tragen
	Entsorgung von elektrischen und elektronischen Geräten
	Abfall zurückgeben
	Klasse II Konstruktion

DE

V	Volt	n	Drehzahl ohne Last
A	Ampere	Hz	Hertz
W	Watt	/min min	Umdrehungen oder Hin- und Herbewegungen pro Minute
	Wechselstrom	IP20	IP-Schutzart



EC-Konformitätserklärung

Wir erklären, dass das Werkzeug: Elektrischer Rührwerk

Typ: BXR-11

den Standards entsprechen EN 62841-1:2015, EN 62841-2-10:2017 entsprechend den Richtlinien 2006/42/EC

HERMAN Slovakia Production s.r.o.,
Mokrú Lúka 226, 05001 Revúca, Slowakei

Ing. Herman Nagypál MBA
CEO
Herman Group a.s.

Mgr Peter Halaj
Direktor der technischen
Abteilung für Werkzeuge
Herman Slovakia Production s.r.o.

4. Geräusch- und Vibrationsemissionen

1) Lärm

Die Schallemissionswerte wurden entsprechend EN 60745 bestimmt.

A-gewichtete Schalleistungspegel (L_{WA}) [dB(A)]	93,6
A-gewichteter Schalldruckpegel (L_{pA}) [dB(A)]	85,6
Messunsicherheit (K) [dB(A)]	3



Der Bediener sollte einen Gehörschutz tragen

2) Schwingungsemission

Gesamtschwingungen (triaxiale Vektorsumme) bestimmt nach EN 62841

Lärmemissionswert (a_h)	2,42m/s ²
Korrektur (K)	1,5m/s ²

3) Die folgenden Informationen

a) Der angegebene Schwingungsgesamtwert

wurde mit einem Standardprüfverfahren gemäß EN 62841-2-10 gemessen und kann zum Vergleich von Werkzeugen verwendet werden.

b) Der angegebene Vibrationsgesamtwert kann auch zur vorläufigen Beurteilung der Exposition herangezogen werden.

4) Eine Warnung

a) Die Schwingungsemission während des tatsächlichen Einsatzes des Elektrowerkzeugs kann von dem angegebenen Gesamtwert abhängig von der Art und Weise, in der das Werkzeug verwendet wird, abweichen.

b) Identifizieren Sie zusätzliche Sicherheitsmaßnahmen zum Schutz des Bedieners, die auf einer Expositionsabschätzung unter den tatsächlichen Einsatzbedingungen beruhen (unter Berücksichtigung aller Teile des Arbeitszyklus, wie z. B. Zeiten, zu denen das Werkzeug ausgeschaltet ist und wenn es sich im Leerlauf befindet zur Auslösezeit).

5. Technische Merkmale und Lieferumfang

1) Technische Merkmale

Modell	Einheit	BXR-11
Stromversorgung	-	230-240 V~ 50 Hz
Motor	-	Einphasenmotor
Nennleistung	W	1900
Nenngeschwindigkeit	min ⁻¹	I. 150-300 II. 300-650
Maximaler Rührkorbdurchmesser	mm	140
Gewicht (ohne Kabel)	kg	7,5
Werkzeugaufnahme	-	M14

2) Lieferumfang

	BXR-11
Rührkorb	1x
Schraubenschlüssel	2x
Bedienungsanleitung	1x

6. Beschreibung der Funktionen und Anwendungen

1) Beschreibung der Funktionen

(Siehe Abbildung **1**, **2**)

- ① Carbon-Abdeckung
- ② Geschwindigkeitskontrolle
- ③ Einschaltperre für Ein-/Ausschalter
- ④ Ein-/Ausschalter
- ⑤ Rührkorb
- ⑥ Gangwahlschalter
- ⑦ Antriebsspindel
- ⑧ Schraubenschlüssel (22 mm)
- ⑨ Schraubenschlüssel (22 mm)

2) Anwendungen

Das Elektrowerkzeug ist bestimmt zum Anrühren von pulverförmigen Baustoffen wie Mörtel, Putze, Kleber, sowie nicht lösungsmittelhaltigen Farben, Lacken und ähnlichen Substanzen.

3) Funktionen



"SOFT START" - Sanftanlauf des Motors erleichtert den Mischbeginn, wenn die einzelnen Komponenten noch getrennt sind.



"RESTART PROTECTION" - Schutz gegen Wiederanlauf des Motors nach Wiederherstellung der Stromversorgung.



"VARIABLE SPEED" - ermöglicht optimale Mischgeschwindigkeitseinstellungen.



"OVERLOAD PROTECTION"- Diese Schutzfunktion unterbricht die Stromzufuhr zum Motor, wenn dieser überlastet ist oder die Drehzahl während des Betriebs stark reduziert wird.

Wenn die Überlastschutzfunktion aktiviert ist, kann es zum Stillstand des Motors kommen. Lassen Sie in diesem Fall den Werkzeugschalter los, um die Ursache der Überlastung zu beseitigen. Dann können Sie es wieder einschalten.

7. Bedienungsanleitung

DE

1) Werkzeugwechsel

(Siehe Abbildung , **2**)



Warnung

Ziehen Sie vor allen Arbeiten am Elektrowerkzeug den Netzstecker aus der Steckdose.

Schrauben Sie den Rührkorb **⑤** in die Antriebsspindel **(4)**.

Halten Sie dazu die Antriebsspindel **⑦** mit einem Gabelschlüssel (Schlüsselweite 22 mm) **⑧**, und ziehen Sie mit einem zweiten Gabelschlüssel (Schlüsselweite 22 mm) **⑨** den Rührkorb **⑤** fest.

Die Demontage des Rührkorbes erfolgt in umgekehrter Reihenfolge.

2) Inbetriebnahme



Warnung

Beachten Sie die Netzspannung! Die Spannung der Stromquelle muss mit den Angaben auf dem Typenschild des Elektrowerkzeuges übereinstimmen. Mit 230-240 V gekennzeichnete Elektrowerkzeuge können auch an 220 V betrieben werden.

Stäube, z. B. mineralische Stäube, können gesundheitsschädlich sein. Berühren oder Einatmen der Stäube können allergische Reaktionen und/oder Atemwegserkrankungen des Benutzers oder in der Nähe befindlicher Personen hervorrufen.

Asbesthaltiges Material darf nur von Fachleuten bearbeitet werden.

- Sorgen Sie für gute Belüftung des Arbeitsplatzes.
- Es wird empfohlen, eine Atemschutzmaske mit Filterklasse P2 zu tragen.

Beachten Sie in Ihrem Land gültige Vorschriften für die zu bearbeitenden Materialien.

3) Mechanische Gangwahl



Betätigen Sie den Gangwahlschalter nur bei Stillstand des Elektrowerkzeuges.

Warnung

(Siehe Abbildung , 3)

Drehen Sie den Gangwahlschalter ⑥ in die richtige Richtung, wie in der Abbildung gezeigt. Position „1“ bedeutet niedrige Geschwindigkeit und Position „2“ bedeutet hohe Geschwindigkeit.

Wenn es schwierig ist, den Schalter zu drehen (oder der Schalter nicht in die äußerste Position gedreht werden kann), drehen Sie die Spindel ein wenig hin und her und versuchen Sie es erneut.

4) Ein-/Ausschalten

(Siehe Abbildung 1 , 4)

Drücken Sie den Schalter ④, um das Werkzeug einzuschalten. Wenn der Schalter losgelassen wird, schaltet sich das Werkzeug aus.

Nach Drücken des Schalters ④ und anschließendem Drücken der Verriegelungstaste ③ bleibt das Gerät dauerhaft eingeschaltet, was für den Dauereinsatz geeignet ist. Durch erneutes Drücken des Schalters wird die Sperre entriegelt und beim Loslassen schaltet sich das Werkzeug aus.

5) Arbeitshinweise zum Rühren

- a) **Benutzen Sie das Elektrowerkzeug nicht in einem Ständer.** Das Elektrowerkzeug ist nicht für den stationären Betrieb zugelassen.
- b) **Vermeiden Sie, das Rührgut zu verspritzen.** Sie können sonst ausrutschen und die Kontrolle über das Elektrowerkzeug verlieren.
- c) **Vermeiden Sie den Dauerbetrieb des Elektrowerkzeuges mit verminderter Drehzahl.** Andernfalls könnte der Motor des Elektrowerkzeuges überhitzen.

Die Wahl des Rührkorbes hängt vom Rührgut ab. Für Rührgut mit niedriger Viskosität, wie z. B. Dispersionsfarbe, Lacke, Kleber, Vergussmasse, Zementschlämme verwenden

Sie einen Rührkorb mit Linkswendel. Im Rührkorb mit Linkswendel wird das Material von oben nach unten befördert. Der Rührkorb wird nach oben gedrückt. Rührgut mit niedriger Viskosität wird spritzarm gemischt. Für Rührgut mit hoher Viskosität, wie z. B. Fertigputz, Beton, Zement, Estrich, Spachtelmasse, Epoxidharz verwenden Sie einen Rührkorb mit Rechtswendel. Im Rührkorb mit Rechtswendel wird das Material von unten nach oben befördert. Der Rührkorb arbeitet sich in das Mischgut ein. Rührgut mit hoher Viskosität wird optimal durchmischet. Bewegen Sie das Elektrowerkzeug beim Arbeiten auf und ab. Reinigen Sie den Rührkorb nach Gebrauch.

Lagern Sie das Elektrowerkzeug an einem sicheren Platz. Sorgen Sie dafür, dass es nicht umfallen kann. Das Elektrowerkzeug kann sonst beschädigt werden.

8. Wartung und Service



Ziehen Sie vor allen Arbeiten am Elektrowerkzeug den Netzstecker aus der Steckdose.

Warnung



Halten Sie das Elektrowerkzeug und die Lüftungsschlitze sauber, um gut und sicher zu arbeiten.

Warnung

1) Schrauben

Vergewissern Sie sich regelmäßig, dass die Schrauben aller Teile festgezogen sind. Wenn Schrauben lose sind, ziehen Sie sie fest. Lose Schrauben können gefährliche Situationen verursachen.

2) Aufbewahrung nach dem Gebrauch



Das Werkzeug muss außerhalb der Reichweite von Kindern und an einem trockenen Platz aufbewahrt werden.

3) Abnormaler Betrieb

Es ist sehr gefährlich, wenn Kunden versuchen, Fehler selbst zu suchen oder das Gerät selbst zu reparieren. Kontaktieren Sie die nächstgelegene Servicestelle (Vertretung).

4) Kabel mit X-Befestigung

Wenn das Netzkabel dieses Elektrowerkzeugs beschädigt ist, muss es mit einem von der Serviceorganisation speziell dafür vorbereiteten Kabel ersetzt werden.

5) Vorsicht nach dem Gebrauch

Schalten Sie das Gerät aus, um es zu stoppen, und stellen Sie das Rührwerk an einem sicheren Ort auf. Wenn Sie das Rührwerk an einem Ort mit Staub und Schleifrückständen aufstellen, während es noch rotiert, können diese in das Geräteinnere gelangen.

Kaufen und verwenden Sie nur Originalteile bei von HERMAN autorisierten Händlern und Servicestellen als Ersatzteile. Wenn Sie andere als die Original-Kohlebürsten verwenden, kann der Gleichrichter sehr schnell beschädigt werden. In der Folge kann sich die Lebensdauer des Elektrowerkzeugs

6) Kundenbetreuung und Kundendienst nach dem Verkauf

Unser Kundendienst hilft Ihnen mit Ihren Fragen zur Wartung und Reparatur Ihres Geräts, wie auch zu Ersatzteilen. Explosionsdarstellungen und Informationen über Ersatzteile finden Sie außerdem unter : www.hermantools.com

Unsere Kundendienstmitarbeiter beantworten Ihre Fragen zu Anwendungsmöglichkeiten und Einstellungen des Geräts und Zubehörteile.

Entsorgung

Elektrowerkzeuge, Zubehör und Verpackungen sollen einer umweltgerechten Wiederverwertung zugeführt werden.



Werfen Sie Elektrowerkzeuge nicht in den Hausmüll!

Nur für EU-Länder:

Gemäß der Europäischen Richtlinie 2012/19/EU über Elektro- und Elektronik-Altgeräte und ihrer Umsetzung in nationales Recht müssen nicht mehr gebrauchsfähige Elektrowerkzeuge getrennt gesammelt und einer umweltgerechten Wiederverwertung zugeführt werden.

Bei unsachgemäßer Entsorgung können Elektro- und Elektronikaltgeräte aufgrund des möglichen Vorhandenseins gefährlicher Stoffe schädliche Auswirkungen auf die Umwelt und die menschliche Gesundheit haben.

HERMAN

Herman Slovakia Production s.r.o.
Mokra Luka 226, 050 01 Revuca, Slovakia
www.hermantools.com